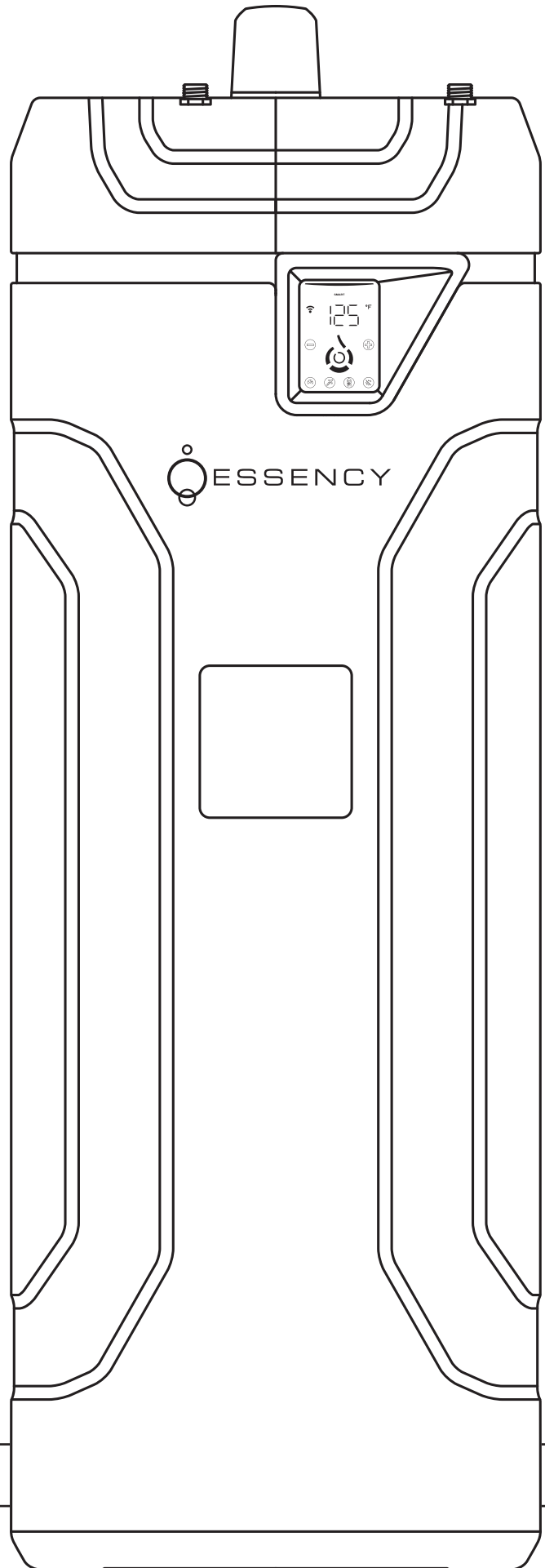




EXR WATER HEATER

Installation & Operation Manual

Water is essential to life. And Essency brings water to your life in amazing ways. We design water heaters built to outlast other tanks. Water heaters intelligent enough to give you greater control and peace-of-mind. All while delivering the highest performance in the industry in a design that's both aesthetically appealing and ecologically attentive. Our water heaters turn the essential into the exceptional.



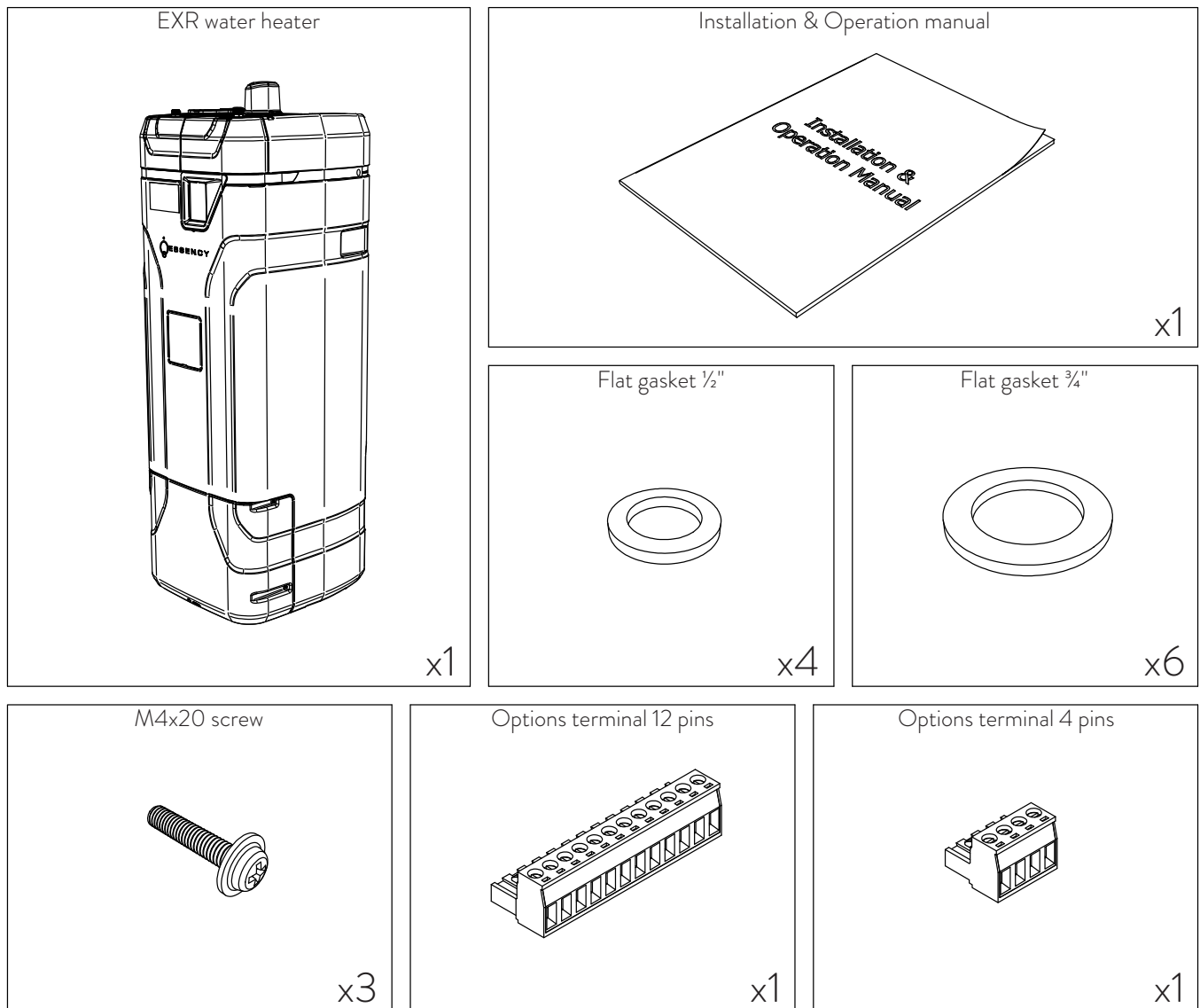
In this box, you will find :

1. Your Essency EXR water heater.

2. This Installation & Operation manual.

3. One bag containing:

- (3x) M4x20 metric screws,
Intended as spares should you lose some screws during installation.
- (4x) Flat gaskets $\frac{1}{2}$ "
- (6x) Flat gaskets $\frac{3}{4}$ "
Intended as spares, should you wish to replace them during routine maintenance such as flushing.
- (1x) 4 pins terminal,
- (1x) 12 pins terminal,
These will be useful when adding future options to the water heater.



CONGRATULATIONS!

By purchasing an Essency EXR Water Heater, you have chosen the most innovative technology in domestic water heating on the market. Once properly installed, you can relax and enjoy many years of trouble-free service.

Thanks to their innovative design, Essency water heaters offer a much longer life span than traditional water heaters, as well as superior performance for optimal user comfort.

In the following pages you will find information about how to install and how to operate your water heater, as well as useful tips on how to reduce water and energy consumption.

PLEASE READ THIS MANUAL CAREFULLY AND KEEP IT WITH THE WATER HEATER FOR FUTURE REFERENCE

This manual contains all basic directions and recommendations for the installer to ensure proper installation and adjustment of the water heater. For the owner/operator, it includes the features, operation, safety precautions, maintenance and troubleshooting of the water heater. It also includes information on *Service parts section (see page 46)*.

All persons who are expected to install, operate or adjust this water heater should read the instructions carefully so they may understand how to perform these operations. We require that you contact a plumbing professional for the installation of this water heater.

If you have any specific questions regarding the operation, maintenance, service or warranty of this water heater please contact the seller from whom it was purchased. If additional information is required, *refer to the Troubleshooting & Service section page 43* of this manual.



RECOGNIZE THIS SYMBOL AS AN INDICATION OF IMPORTANT SAFETY INFORMATION

TABLE OF CONTENTS

SAFETY INFORMATION

General Information.....	5
Important Safety Precautions.....	7
Transportation & Storage (At Warehouse).....	9
Water Quality.....	9

INSTALLING THE WATER HEATER

Location and Specifics	10
1. Connecting the Battery	13
2. Connecting the Water Supply	14
2.1. Typical Installation	14
2.2. Recirculation.....	16
3. Electrical connection.....	18
4. Filling the Water Heater	21
5. Connectivity.....	22

OPERATING THE WATER HEATER

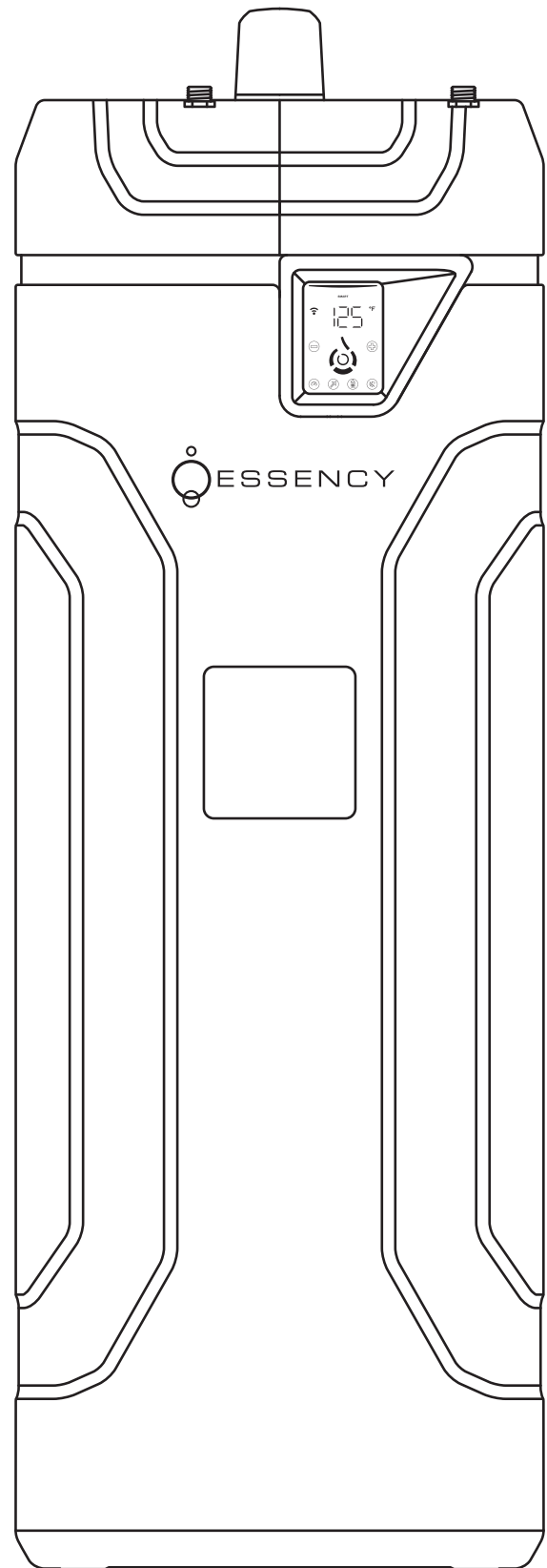
Safety Precautions.....	24
General Principle of Operation.....	24
Software Updates	26
Touchscreen.....	27
Setting the Water Temperature	30
Heating Modes.....	31
Temporary Functions.....	32
Parameter Settings.....	35
Occasional Refill of the Tank	39
Essency App.....	39

CARE AND CLEANING

Draining the Water Heater.....	40
Flushing the Water Heater	41
Cleaning the Water Heater	42
Routine Inspection.....	42

TROUBLESHOOTING & SERVICE

Service Parts.....	46
Service Log	47
Wiring Diagram	48
Warranty	49
Notes.....	50
Tips for Water Conservation.....	51
If You Need Help	51



SAFETY INFORMATION

GENERAL INFORMATION

This water heater's design is certified by UL and listed in accordance with UL 174.

This water heater must be installed in accordance with local codes. In the absence of local codes, install this water heater in accordance with the N.E.C. Reference Book (latest edition). The warranty for this water heater is in effect only when the water heater is installed, adjusted, and operated in accordance with these Installation and Operating Instructions. The manufacturer will not be held liable for damage resulting from alteration and/or failure to comply with these instructions. This water heater has been designed and certified for the purpose of heating potable water. The installation and use of this water heater for any purpose other than the heating of potable water, may cause damage to the water heater and create a hazardous condition and nullify the warranty. Do not use this appliance if any part has been submerged in water. The plumbing professional responsible for the installation of this water heater should be contacted to inspect the appliance and to replace any part of the control system, including thermostat, which has been submerged in water. Make sure that the rating plate on the water heater is referenced for certainty that the correct voltage is being supplied to the water heater.

IMPORTANT: Before proceeding, please inspect the water heater and its components for possible damage. **DO NOT** install any damaged components. If damage is evident, please contact the supplier where the water heater was purchased or the manufacturer listed on the rating plate for replacement parts.

FOR YOUR RECORDS

Write the model and serial numbers here:

The model and serial number can be found on the identification label, located on top of the water heater.

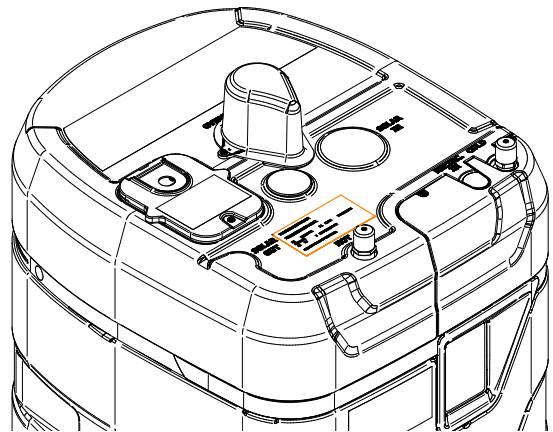
Model #: _____

Serial #: _____

Installing Company: _____

Installing Technician: _____

Contact Phone Number: _____



Staple sales receipt here.

Proof of the original purchase date is needed to obtain service under the warranty.

READ THIS MANUAL

This manual contains useful and important information for proper installation and operation of your water heater, as well as information and recommendations for maintenance to ensure that you will obtain the best performance and life span of your Essency water heater.

At the end of the manual you will find a *Troubleshooting & Service section page 43* with diagnostic codes, which will allow you to solve most common problems.

Your water heater is FCC compliant.

Essency is not responsible for any changes or modifications not expressly approved by the party responsible for compliance. Such modifications could void the user's authority to operate the equipment.

NOTE: This equipment has been tested and found to comply with the limits for a Class B digital device, pursuant to part 15 of the FCC Rules. These limits are designed to provide reasonable protection against harmful interference in a residential installation. This equipment generates, uses, and can radiate radio frequency energy and, if not installed and used in accordance with the instructions, may cause harmful interference to radio communications. However, there is no guarantee that interference will not occur in a particular installation. If this equipment does cause harmful interference to radio or television reception, which can be determined by turning the equipment off and on, the user is

encouraged to try to correct the interference by one or more of the following measures:

- Reorient or relocate the receiving antenna.
- Increase the separation between the equipment and the receiver.
- Connect the equipment into an outlet on a circuit different from that to which the receiver is connected.
- Consult the dealer or an experienced radio/TV technician for help.

This device must be professionally installed.


This equipment complies with FCC's radiation exposure limits set forth for an uncontrolled environment under the following conditions :


This equipment should be installed and operated such that a minimum separation distance of 20cm is maintained between the radiator (antenna) and user's/nearby person's body at all times.


This transmitter must not be co-located or operating in conjunction with any other antenna or transmitter.

READ THE SAFETY INFORMATION

The following defined terms are used throughout this manual to bring attention to the presence of hazards of various risk levels or to important product information. These words mean:

 **DANGER!** An imminently hazardous situation which, if not avoided, will result in death or serious injury.

 **WARNING!** A potentially hazardous situation which, if not avoided, could result in death or serious injury and/or damage to property.

 **CAUTION!** A potentially hazardous situation which, if not avoided, may result in minor or moderate injury.

NOTICE: Attention is called to observe a specified procedure or maintain a specific condition.

IMPORTANT SAFETY INSTRUCTIONS

Read all instructions before using this water heater.

WATER TEMPERATURE SETTING

DANGER!

Safety and energy conservation are important factors to be considered when selecting the water temperature setting of your water heater. Water temperatures above 125°F, and above 120°F for households with small children, disabled, or elderly persons, can cause severe burns or death from scalding. Be sure to read and follow the warnings outlined on the label pictured below. This label is also located on the water heater near the touchscreen.

APPROXIMATE TIME/TEMPERATURE RELATIONSHIP IN SCALDS	
Temperature	Time To Produce a Serious Burn
120°F	More than 5 minutes
125°F	1½ to 2 minutes
130°F	About 30 seconds
135°F	About 10 seconds
140°F	Less than 5 seconds
145°F	Less than 3 seconds
150°F	About 1½ seconds
155°F	About 1 second

NOTICE: Mixing valves may be required by local codes for reducing point of use water temperature by mixing hot and cold water in branch water lines. If required, a mixing valve complying with the Standard for Temperature Actuated Mixing Valves for Hot Water Distribution Systems, ASSE 1017 should be installed. For more details contact a licensed plumber or the local plumbing authority for further information.



Water temperature over 125°F can cause severe burns instantly or death from scalds. Children, disabled and elderly are at highest risk of being scalded. See instruction manual before setting temperature at water heater. Feel water before bathing or showering. Temperature limiting values are available, please check with your installer.

NOTICE: Your water temperature setpoint is 125°F by default.

IMPORTANT SAFETY INFORMATION

Read all instructions thoroughly before installing or operating.


WARNING!

This manual provides information on the installation, operation and maintenance of the water heater.

To reduce the risk of property damage, electric shock, serious injury or death, it is important to read the precautions below, all labels on the water heater, and the safety messages and instructions throughout this manual.

Be sure to read and understand the entire Installation and Operation Manual before installing or operating this water heater, and pay particular attention to the Safety Instructions.

A licensed professional must install the water heater in accordance with the instructions in this manual. The consumer must read the entire manual to properly operate the water heater. Should you have problems understanding the instructions in this manual, or have any questions concerning installation or operation of the water heater, please get help from a qualified service technician, or the local electric utility.

 **WARNING! Proposition 65 California:** This product contains chemicals known to the state of California to cause cancer, birth defects or other reproductive harm.

SAFETY PRECAUTIONS

It is important to know where the circuit breaker is located. Please ask the installer to show you its location and how to shut it off if necessary. Turn off the circuit breaker if the water heater has been subjected to overheating, fire, flood or physical damage.

- Read this manual entirely before installing or operating the water heater.
- Use this appliance only for its intended purpose as described in this Installation and Operation Manual.
- Be sure your appliance is properly installed in accordance with local codes and the provided installation instructions.
- **DO NOT** attempt to repair or replace any part of your water heater unless it is specifically recommended in this manual.

All other servicing should be referred to a qualified technician.

TRANSPORTATION & STORAGE (AT WAREHOUSE)

Do not lift or carry using the front bottom part of the water heater. The water heater should be stored in a dry place, and at a temperature between 32°F and 140°F. In case the water heater is stored without its packaging, the floor's slope should be less than 7° to prevent the water heater from falling over.

NOTICE: Long exposure to temperatures above 140°F can cause permanent deformation of the water heater.

NOTICE: If needed, the water heater can be transported horizontally, however do not lay nor transport the water heater with the front side facing down (see pictogram on packaging if not removed).

WATER QUALITY

Proper care for your water heater must include evaluation of local water quality conditions. The water must be potable, free of corrosive chemicals, sand, dirt, and other contaminants. It is up to the installer to ensure the water fed to the heater does not contain corrosive chemicals or elements that can affect operation or damage the heat exchanger. Refer to the table below for the maximum allowable limits of specific parameters according to the EPA in the Code of Federal Regulations. The installer is responsible for understanding local conditions pertaining to these and other parameters and treating the water as necessary. Replacement of the heat exchanger and other components due to damage caused by water quality is not covered by the warranty.

MAXIMUM LEVEL	
Total Hardness	Up to 200 mg / L
Aluminum *	Up to 0.2 mg / L
Chlorides *	Up to 250 mg / L
Copper *	Up to 1.0 mg / L
Dissolved Carbon Dioxide (CO ₂)	Up to 15.0 mg / L
Iron *	Up to 0.3 mg / L
Manganese *	Up to 0.05 mg / L
pH *	6.5 to 8.5
TDS (Total Dissolved Solids) *	Up to 500 mg / L
Zinc *	Up to 5 mg / L

* Source: Part 143 National Secondary Drinking Water Regulations

INSTALLING THE WATER HEATER

WATER SUPPLY PRESSURE

Minimum Water Pressure: 50 PSI (*Recommended 60-80 PSI for maximum performance*)

Maximum Water Pressure: 150 PSI

When choosing the location of the water heater, please take into consideration the following recommendations.

(Disregarding these recommendations will void the warranty)

LOCAL INSTALLATION REGULATIONS

This water heater must be installed in accordance with these instructions, local codes, utility codes, utility company requirements or, in the absence of local codes, the latest edition of the National Electrical Code, which can be found in some local libraries or can be purchased from the National Fire Protection Association (*website link: <https://nfpa.org/>*).

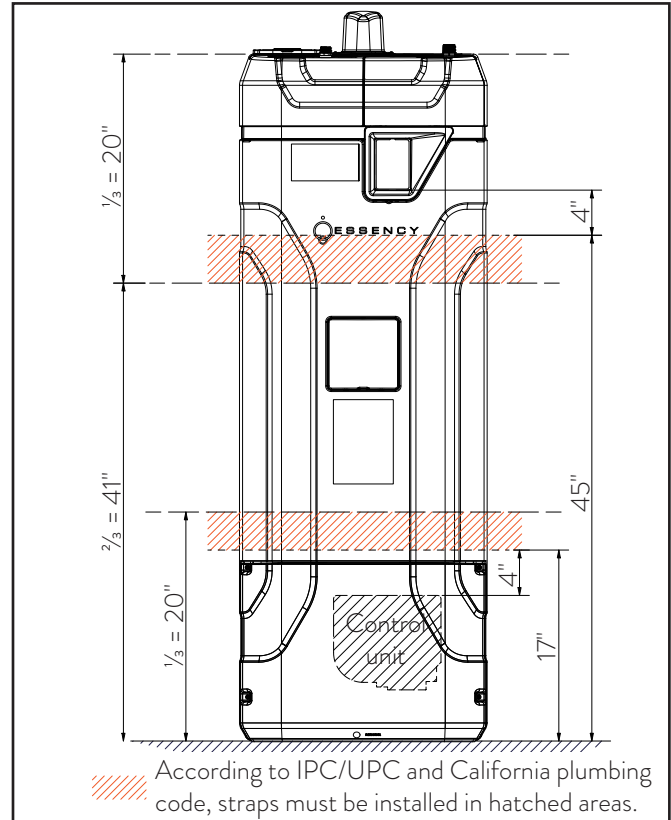
NOTICE: Please be aware that installation of the water heater in attics in regions where the outside air temperature is commonly above 105°F (and therefore attic temperature can be greater than 140°F) could affect the life of your water heater electronic controls.

INSTALLATIONS IN CALIFORNIA

For California installation, this water heater must be braced, anchored, or strapped to avoid falling or moving during an earthquake.

See following instructions for correct installation procedures. Detailed instruction may be obtained from California's Division of the State Architect at <https://dgs.ca.gov/DSA/Contact> and from

DSA Headquarters Office
1102 Q Street, Suite 5100
Sacramento, CA 95811.



LOCATION & WATER HEATER CLEARANCE

Locate the water heater in a clean dry area as near as practical to the area of greatest heated water demand. Long uninsulated hot water lines can waste energy and water.

Place the water heater in such a manner that the electric junction box, the overflow line cover, the upper element cover and the lower access panel can be removed to permit inspection and servicing such as removal of elements or checking controls.

The water heater and water lines should be protected from freezing temperatures.

To allow easy access for operation and maintenance, we recommend leaving the following clearances around the water heater: At the front and above the water heater: 25". Left and right: 4". Back: 2" provided that the overflow line can be correctly installed. In case of any doubt, please check your local codes.

To help avoid any potential damage, the water heater should not be pushed against the back wall.

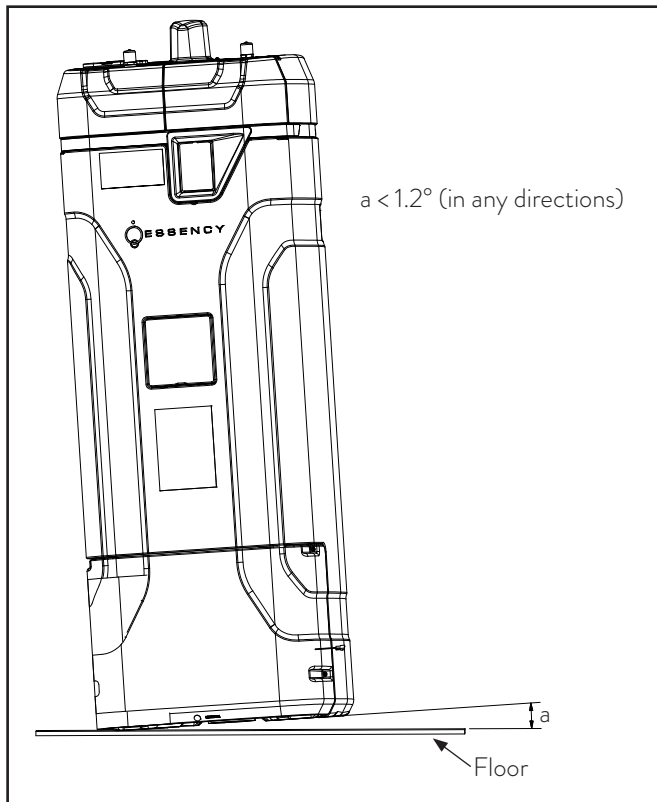
DO NOT install the water heater **OUTDOORS**. To ensure its long life, your water heater **MUST** be installed indoors.

Never switch off the water heater. If the water heater is not going to be used for a period of time please use the “vacation” temporary function. This will help to avoid damage caused by freezing.

If the water heater is not going to be used for an extended period of time, and the electric power will be shut off, drain your water heater completely (see page 40).

Make certain the floor underneath the water heater is strong enough to sufficiently support the weight of the water heater once it is filled with water.

CAUTION! Make certain the floor underneath the water heater is straight and level, and does not exceed an angle of 1.2° , or $\frac{1}{4}$ inch per foot.

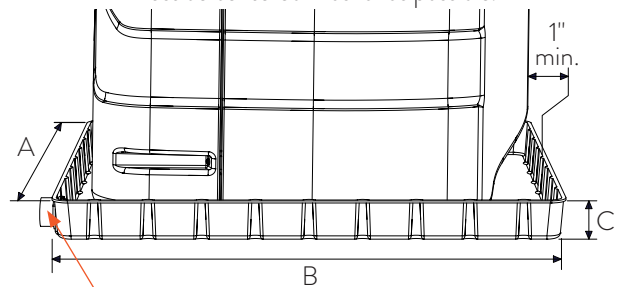


CAUTION! The water heater should not be located in an area where leakage of the tank or connections will result in damage to the area adjacent to it or to lower floors of the structure. Where such areas cannot be avoided, it is recommended that a suitable drain pan, adequately drained, be installed under the water.

DRAIN PAN

- A. Width of water heater plus 2" min (22+2")**
- B. Depth of water heater plus 2" min (26+2")**
- C. Height, maximum 4"**

For proper operation of the drain pan, the water heater must be centered in as far as possible.



NOTICE: Auxiliary drain pan MUST conform to local codes. Drain Pan Kits are available from the store where the water heater was purchased, or any water heater distributor.

Essency manufactures a custom fit drain pan.

NOTICE: We recommend the use of a drain pan, especially if the water heater is installed in the attic.


INSULATION BLANKETS


Insulation blankets, available to the general public, for external use on electric water heaters are not necessary. The purpose of an insulation blanket is to reduce the standby heat loss encountered with storage tank heaters. This water heater meets or exceeds the National Appliance Energy Conservation Act standards with respect to insulation and standby loss requirements making an insulation blanket unnecessary.

The manufacturer's warranty does not cover any damage or defect caused by installation, attachment or use of any type of energy saving or other unapproved devices (other than those authorized by the manufacturer) into, onto or in conjunction with the water heater.

The use of unauthorized energy saving devices may shorten the life of the water heater and may endanger life and property.

The manufacturer disclaims any responsibility for such loss or injury resulting from the use of such unauthorized devices.

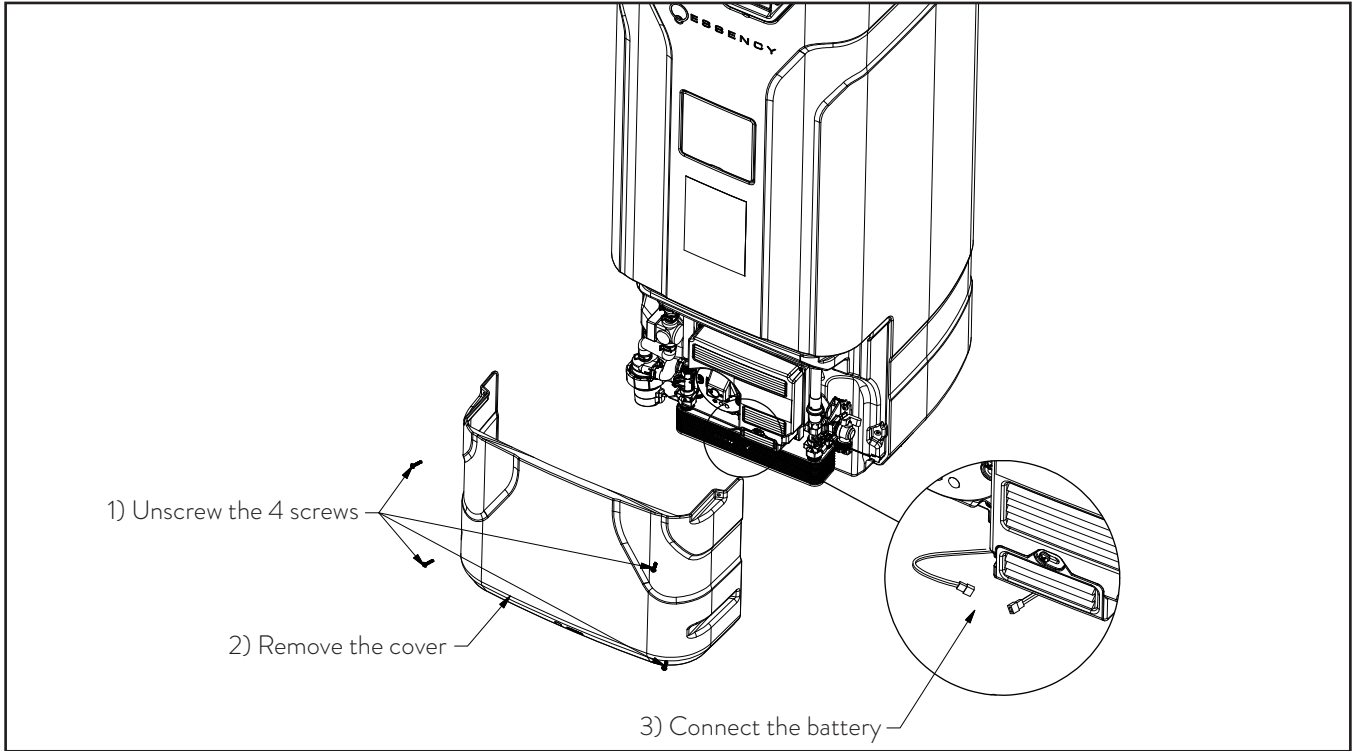
 **WARNING!** If local codes require external application of insulation blanket kits, the manufacturer's instructions included with the kit must be carefully followed.

 **CAUTION!** If local codes require the application of an external insulation blanket to this water heater, pay careful attention to the following so as not to restrict the proper function and operation of the water heater:

- **DO NOT** cover the operating or warning labels attached to the water heater or attempt to relocate them on the exterior of insulation blanket.
- **DO NOT** apply insulation to the top of the water heater. This could interfere with the safe operation of the electrical junction box.
- **DO NOT** cover the access panel(s) to the thermostat(s) and heating element(s).
- **DO NOT** restrain access to lower cover of the unit. It will result in an overheating of the electronic controls.
- Inspect the insulation blanket frequently.

1. CONNECTING THE BATTERY

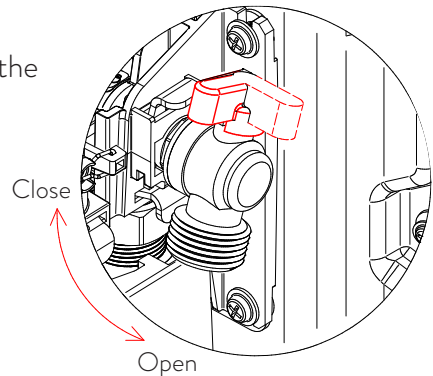
As a back-up in case of power failure, the water heater is equipped with a lithium-ion battery located behind the lower cover of the unit. To connect this battery, before powering the unit, follow the steps as indicated on the illustration below:



NOTICE: When reinstalling the cover, do not over-tighten the screws. The applied torque shall not exceed 1.1 lb.ft. After battery connection, the front cover is to be put back on, and left on, for the duration of the installation.

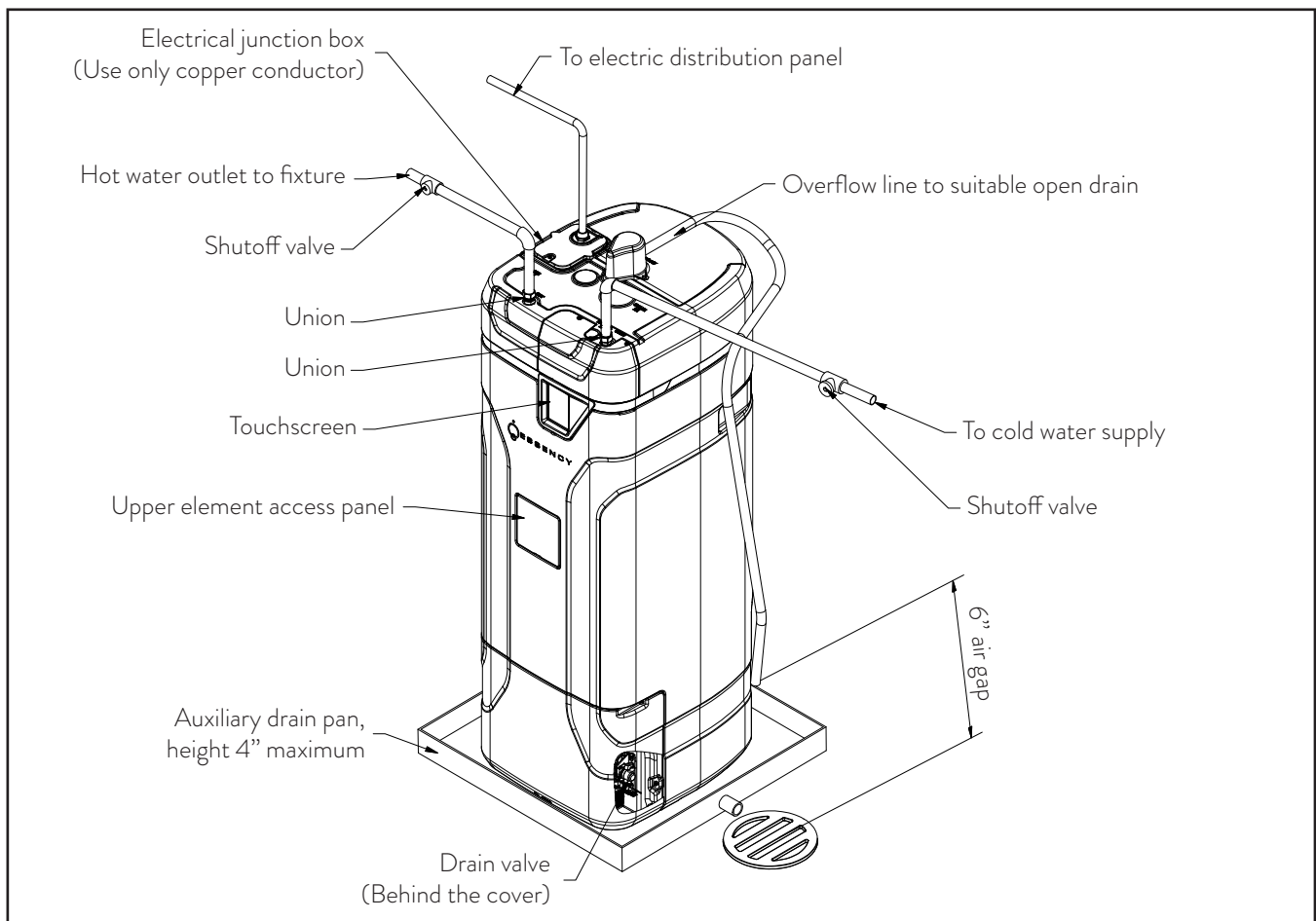
NOTICE: The battery is intended to be used as an emergency back-up only, in case of power failure, and will allow you to use the amount of hot water available in your tank at the time of power failure. It will not operate the water heater heating elements, but only the variable speed pump at a moderate flow rate (corresponding to a shower flow rate). Neither the touchscreen display nor the WiFi will be operational. It is not meant to be used continually.

NOTICE: The water heater’s internal drain valve is closed by default from the factory. Before proceeding with ‘Filling the Water Heater’ step (see page 21), ensure the valve is still closed. In the closed position, the red valve handle will be facing out. In the open position, the red handle will be facing right.




2. CONNECTING THE WATER SUPPLY

2.1. TYPICAL INSTALLATION



WATER SUPPLY CONNECTIONS

Refer to the illustration above for suggested typical installation. The installation of unions or flexible connectors is recommended on the hot and cold water connections so that the water heater may be easily disconnected. To tighten the water connectors, please use a back-up wrench. For ease of maintenance, we strongly recommend to install service valves in inlet and outlet water circuits (see *Flushing the water heater section page 41*). Over-tightening or tightening without a back-up wrench may cause flow sensor damage. Take special care.

 **TIP:** Water connections are located further to the front of the unit than many other storage water heaters. Plan accordingly. For example, longer water flexes may be required.

FILTER

Before connecting the cold water supply to the unit, check that the filter is still well installed in the cold inlet brass fitting. If sediment in the local water supply is an issue, we recommend installing an external Y strainer.

OVERFLOW LINE CONNECTION

For ease of installation, the protective cap can be taken off by removing the 2 screws.
We recommend the use of CPVC for the overflow line.

DO NOT over-tighten the connector. The applied torque shall not exceed 2 lb.ft. Make sure the overflow line opening is at least 6" from the ground.

⚠ WARNING! In any case, water shall be fully drained to a suitable floor open drain. Respect the correct slope so that no water can be trapped in the overflow line.

⚠ WARNING! Use a 3/4" MNPT fitting compliant with ASTM D2846 or ASME B16.22 or other standard, and ensure an inner diameter not less than 5/8" (0.625").

⚠ WARNING! The overflow line piping shall have an inner diameter not less than 3/4".

⚠ WARNING! The protective cap is to be reinstalled after connection of the overflow line.

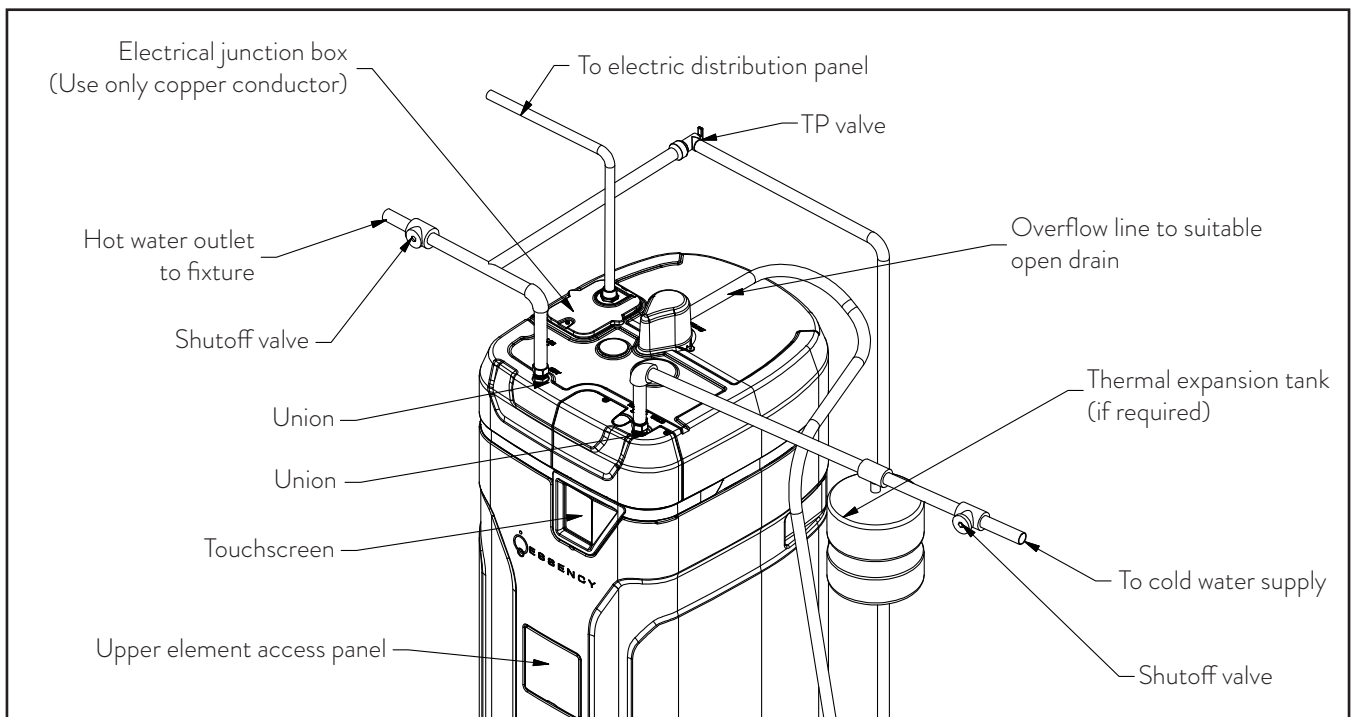
NOTICE: The overflow line connection is non-pressurized. Using glue for line connection is NOT recommended as the unit fitting can be damaged in case of future operation on the line.

T/P VALVE

Unlike other tank water heaters, the water in the tank of the Essency EXR is at atmospheric pressure. Per its construction, UL has evaluated that this water heater does not need a T/P valve. However please refer to your local codes for specific local requirements.

EXPANSION TANK

This water heater operates at atmospheric pressure. No expansion tank is therefore required. However please refer to your local codes for specific local requirements.



HARD WATER INSTALLATION

Based on your water conditions, the heat exchanger may need to be flushed. Contact Essency for more information. See the Care and Cleaning section on how to proceed (*see page 41*).

NOTICE: DO NOT apply heat to the hot or cold water connections. If sweat connections are used, sweat tubing to adapter before fitting adapter to the water connections on the water heater. Any heat applied to the water supply fittings will permanently damage them or other plastic parts.

NOTICE: Make sure the overflow line is well connected and not obstructed.

NOTICE: DO NOT put any liquid other than water, without any additives, into the tank of the water heater.

2.2. RECIRCULATION

The EXR is recirculation compatible and can be accomplished in one of two ways:

1. With a dedicated return line
2. Without a dedicated return line

In both cases, installers should keep the following in mind when setting up the pump:

- Flow rate delivered by pump should be between 0.3 and 1 GPM. Ideally, the flow rate would be 0.8 GPM.
- Pump should be operating as little as possible and no more than 6 hours per day (for example 3 hours in the morning, 3 hours in the evening).
For best performance, we recommend limiting each pump ON cycle to less than 2 hours. With built-in mechanical pin timers, for example, 1:45 ON and :15 OFF is represented by 7 pins up and 1 pin down. An ON cycle of 2 hours or more may cause a nuisance alarm on the touchscreen related to the leak detection (*see Troubleshooting & Service page 43*).
- In any case, it is recommended to limit the velocity in piping < 4 ft/s to avoid any erosion issue.

NOTE: A recirculation system can lead to high heat losses. It is strongly recommended the hot water and dedicated return lines to be fully insulated.

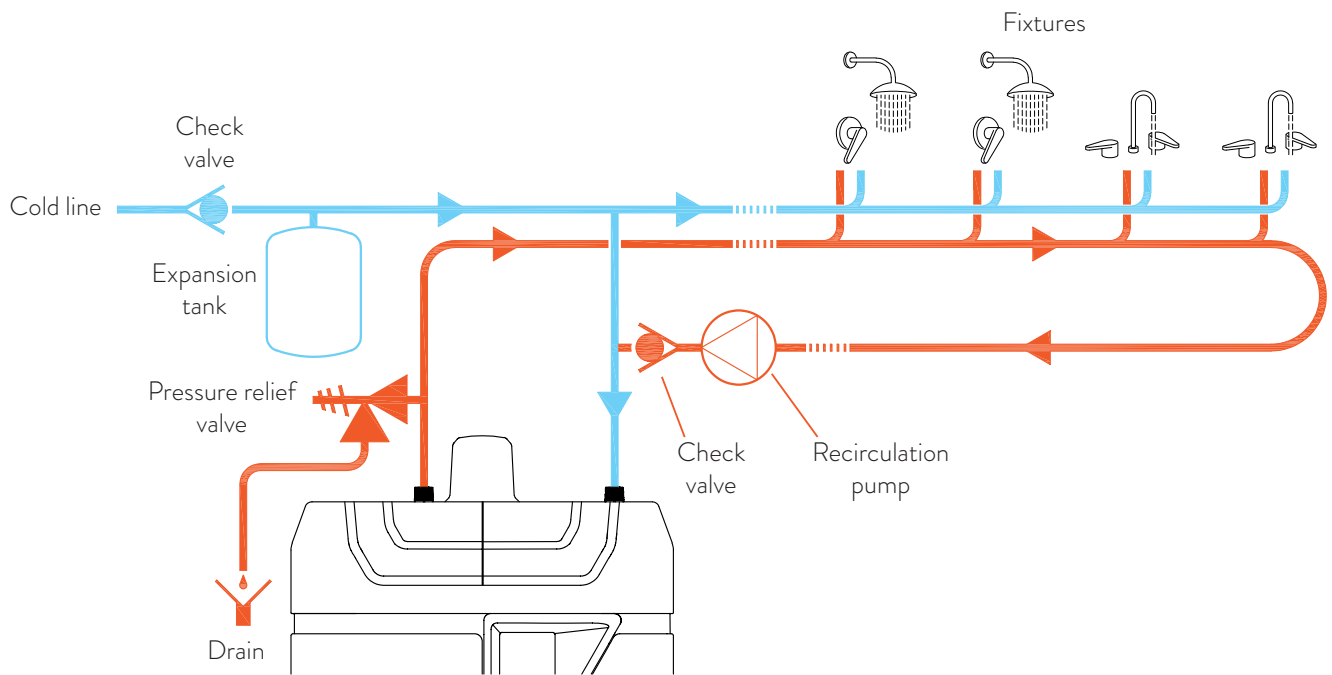
Following these guidelines will help maintain the full warranty, reduce wear and tear on the entire plumbing system, save energy, and keep your water heater in optimum operating condition.

If you don't have another way of confirming flow rate delivered by the recirculation pump, the EXR's touchscreen does have the capability of displaying real-time flow rate by following the instructions in the Useful tips section (*see page 37*).

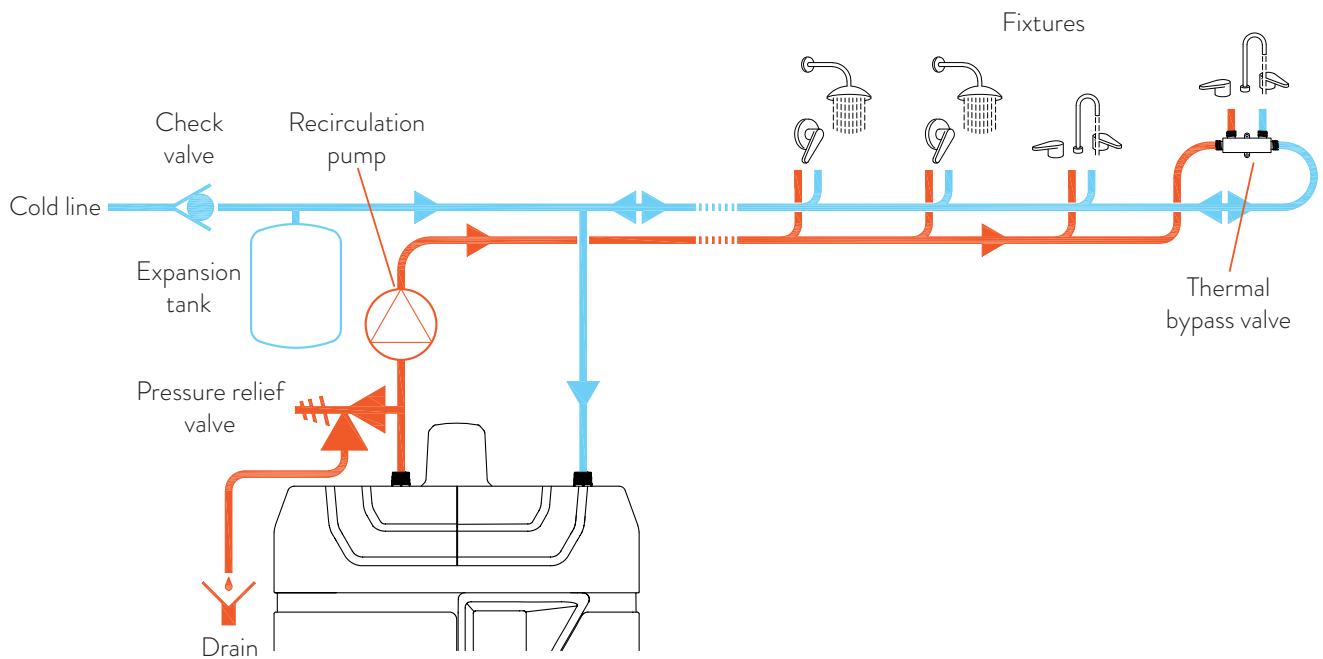
Make adjustments to valves, pump speed, etc... until the value on the touchscreen is between 0.3 and 1 GPM (displayed as 3 - 10).

In addition to the guidelines above, installers must follow all applicable codes and pump manufacturer instructions.

1. With a dedicated return line :



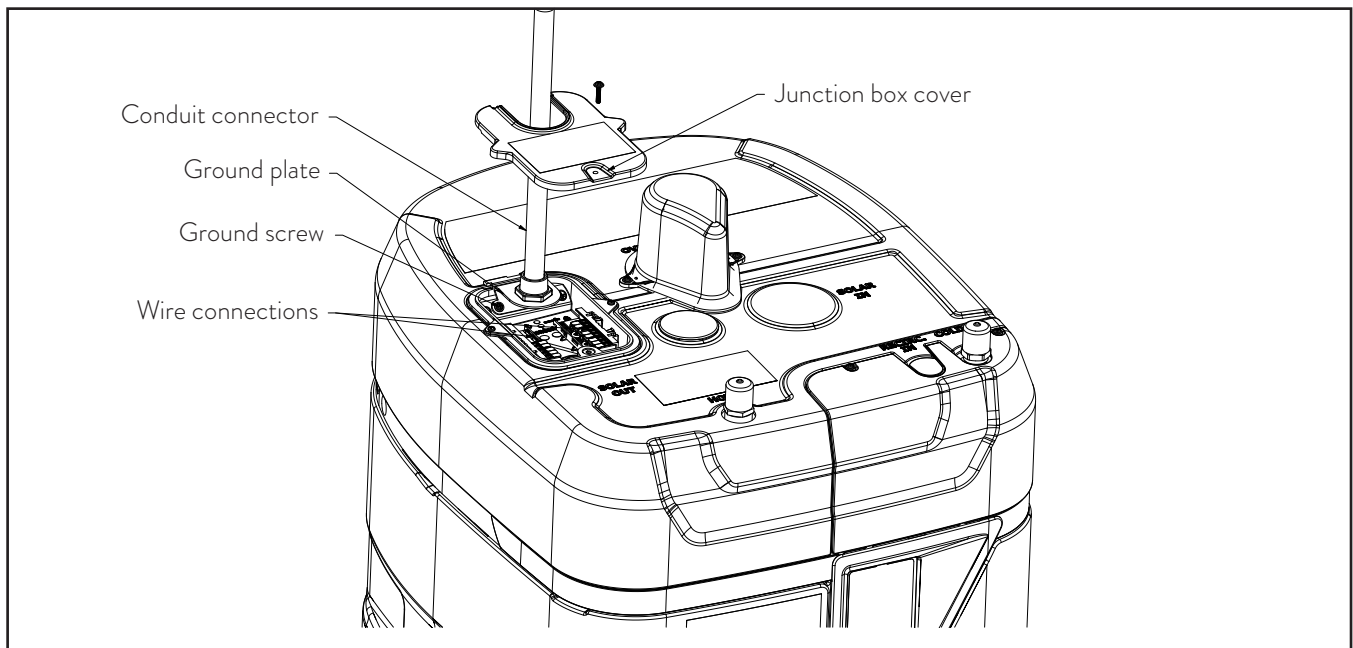
2. Without a dedicated return line :



3. ELECTRICAL CONNECTION

We require that you contact a plumbing professional for the electrical installation of the water heater. A separate branch circuit with copper conductors, overcurrent protective device and suitable disconnecting means must be provided by a qualified electrician. All wiring must conform to local codes or latest edition of National Electrical Code ANSI/NFPA 70. The water heater is completely wired to the electrical connection box located at the top of the water heater. An opening for ½” electrical fitting is provided for field wiring connections. If more than 3 wires need to be connected, for instance for Off-Peak installations, the use of a ½” to ¾” adapter is recommended.

The voltage requirements and wattage load for the water heater are specified on the rating plate located at the top of the water heater.



For ease of installation, it is allowed to temporarily remove the ground plate.

⚠ DANGER! Make sure the ground plate is correctly put back in place and the screws are well tightened (torque 1.5 lb.ft).

The branch circuit wiring should include either:

1. Metallic conduit or metallic sheathed cable approved for use as a grounding conductor and installed with fittings approved for the purpose.
2. Non-metallic sheathed cable, metallic conduit or metallic sheathed cable not approved for use as a ground conductor shall include a separate conductor for grounding. It should be attached to the ground terminals of the water heater and the electrical distribution box.

⚠ CAUTION! The presence of water in the piping and water heater does not provide sufficient conduction for a ground. Non-metallic piping, dielectric unions, flexible connectors etc. can cause the water heater to be electrically isolated.

SINGLE PHASE WIRING

⚠ WARNING: Poor wiring connections, incorrect wire size/type, or wires with too much tension may result in loss of conductivity or overheating. Take special care that wire jacket is securely connected with proper means of strain relief before connecting ground and phase wires. Confirm wire connection tabs are securely closed, tight, and secure before installing junction box cover or turning on power.

⚠ WARNING: Be especially careful about the existing wiring on a retrofit. If it is not appropriate for this application, be sure to upgrade it accordingly. We recommend “SOOW” or “SJOOW” type cords which are readily available. The key features are stranded wires (which make better contact than solid-core wires), a voltage rating of 300V or more, and relative flexibility which does not produce any undue strain on the connectors.

BRANCH CIRCUIT SIZING AND WIRE SIZE GUIDE *(use copper conductors only)*

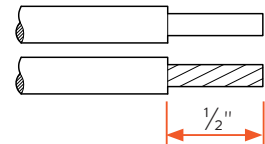
Water Heater Wattage	Power Supply Voltage	Recommended Over Current Protection*	Copper Wire Size recommended**
4500 W	240 V	25 A	10 AWG

*Fuse or circuit breaker amperage rating

**Branch circuit sizing and wire size based on National Electric Code (N.E.C. Table 310-16 at 167°F)

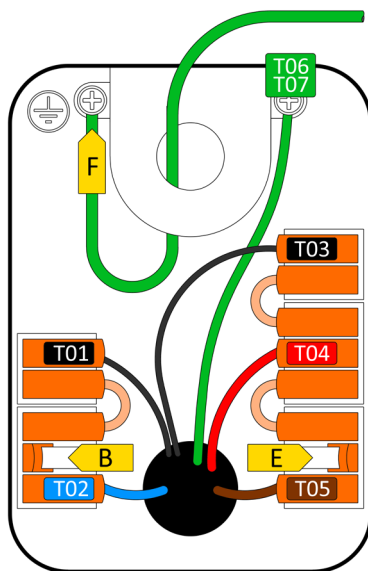
ELECTRICAL TERMINAL BOX CONNECTION

⚠ WARNING: Your wires need to be stripped of ½”, make sure the wire is fully inserted into the connector.



To avoid any electrical problem, make sure the position of the shunts corresponds to your connection as shown below. Please remove the unnecessary shunts from the connection box.

A. Typical connection



Standard 2-phase grounded connection.

B Ph 1 - 208VAC/240VAC - 19A.

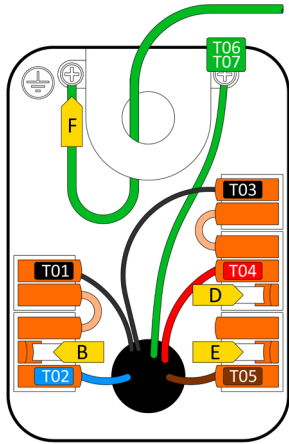
Phase 1 to both heating elements (T02) and electronic control (T01).

E Ph 2 - 208VAC/240VAC - 19A.

Phase 2 to heating elements (T04 and T05) and electronic control (T03).

F Ground connection (T06 and T07).

B. Off-Peak



Wire separately the heating elements, in relation with an Off-Peak program.

B Ph 1 - 208VAC/240VAC - 19A.

Phase 1 to both heating elements (T02) and electronic control (T01).

D Ph 2 - 208VAC/240VAC - 19A.

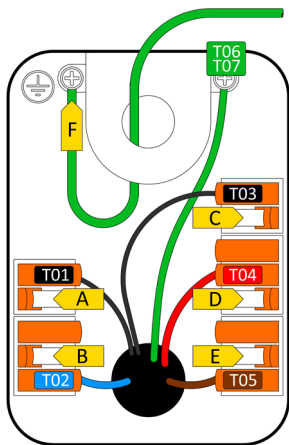
Phase 2, Permanent, to upper heating element (T04) and electronic control (T03).

E Ph 2 Off Peak - 208VAC/240VAC - 19A.

Phase 2, from the Off-Peak meter, to lower heating element (T05).

F Ground connection (T06 and T07).

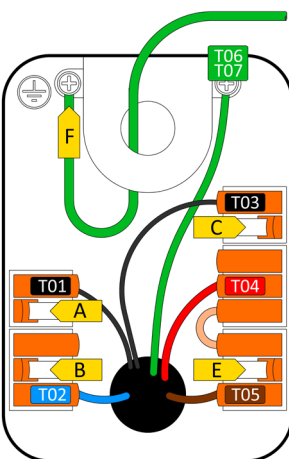
C. Off-Peak - Electronics Separated



Wire separately the elements and electronic control in case of non permanent power supply to the water heater and an Off-Peak program.

Refer to Off-Peak and Electronics Separated sections.

D. Electronics Separated



Wire separately the elements and electronic control in case of non permanent power supply to the water heater.

A Ph 1' - 120VAC/240VAC-50W max.

Phase 1' to electronic control (T01).

C Ph 2' - 120VAC/240VAC-50W max.

Phase 2' to electronic control (T03).

B Ph 1 - 208VAC/240VAC-19A.

Phase 1 to both heating elements (T02).

E Ph 2 - 208VAC/240VAC-19A.

Phase 2 to heating elements (T04 and T05).

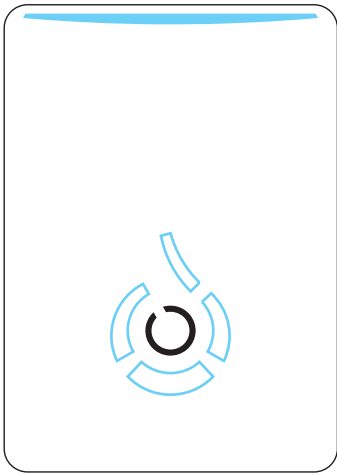
F Ground connection (T06 and T07).

4. FILLING THE WATER HEATER

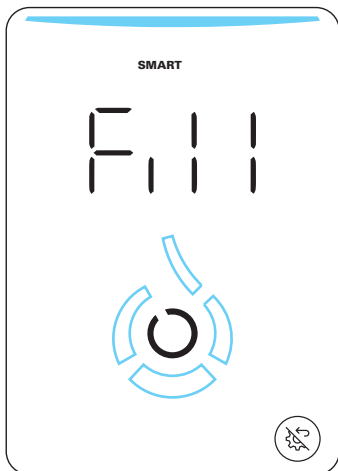
NOTICE: Remain close to the water heater during the filling process to avoid any potential damage due to faulty installation or maintenance. It is normal to see a small amount of water in the overflow line during the fill process.

NOTICE: In case an external leak detector is installed, do not switch it on until the filling cycle is completed and the drain pan is dry

1. Open the shut-off valve on the cold water supply line.
2. Make sure the water heater is electrically supplied. The unit will turn on and a white circle will appear in the center (the **(Confirm)** button).
4. Press the **(Confirm)** button to start the filling process. The unit will start filling automatically. The water drop icon animation will light up during this process. Once the correct water level is reached, the unit will automatically stop the filling process.
5. If you need to stop the filling process, press the **(Confirm)** button. The unit will automatically stop. If the minimum water level needed for operation has not been reached, the word “Fill” will appear again. Restart step 4 to resume filling the unit.



3. Press the **(Confirm)** button to activate the touchscreen. The word “Fill” will appear. The unit will then try one short 30-second filling attempt and will wait 30 minutes for further instructions. If no action is performed meantime the warning code 225 will be displayed.



NOTICE: Unlike traditional storage water heaters, the Essency water heater doesn't require to open any hot water fixture for the filling process. Opening the cold water supply shutoff valve is sufficient.

5. CONNECTIVITY

Upon completion of the previous steps, **it is mandatory for the installer to upgrade the software of the water heater to the latest version.** Upgrading can be done by the installer, using a mobile phone (pairing with the water heater is not required), as follows:

1. Download and install the “MyEssency” mobile application from your preferred mobile application store.
2. Launch the mobile application and create an account.
3. Click on ‘Change my WiFi settings’ and follow the steps on the mobile application to connect the water heater to a WiFi network.
4. Once the procedure is completed, go to the settings menu on the water heater’s touchscreen, (see page 35) then **UPd**. After confirmation, the software upgrade will be started. A progress indication will count up from 1 to 100.
5. When the software upgrade is completed successfully, the progress indication on the water heater will be displaying ‘100’, and the WiFi connection must be turned off if the water heater owner doesn't want to use the App : **SEt** -> **Con** -> **OFF** (see page 35 for Parameter Settings). In case an issue occurs during the software upgrade, ‘Err’ will be displayed and the procedure should be repeated.



TIP: For tutorials and instructions please visit our website www.essencyhome.com.



TIP: The yellow Energy Guide label is easily removable. During the installation, or later, don't hesitate to remove it so that your Essency water heater will look even better!

INSTALLATION CHECKLIST

A. Water Heater Location

- Close to area of heated water demand.
- Indoors and protected from freezing temperatures.
- Area free of flammable vapors.
- Provisions made to protect area from water damage.
- Meets requirements in location and water heater clearance section.

B. Water Supply

- Water heater completely filled with water.
- Air purged from water heater and piping.
- Water connections tight and free of leaks.

C. Overflow

- Overflow line correctly connected and protected from freezing.

D. Wiring

- Power Supply voltage agrees with water heater rating plate.
- Branch circuit wire and fusing or circuit breaker of proper size.
- Electrical connections tight and unit properly grounded.

E. Connectivity

- Update water heater's software.

OPERATING THE WATER HEATER

SAFETY PRECAUTIONS

1. **DO** turn off power to water heater if it has been subject to overheating, fire, flood, physical damage.
 2. **DO NOT** turn on water heater if cold water supply shut-off valve is closed.
 3. If there is any difficulty in understanding or following the Operating Instructions or *the Care and Cleaning section page 40*, it is recommended that a qualified person or serviceman perform the work.
-

GENERAL PRINCIPLE OF OPERATION

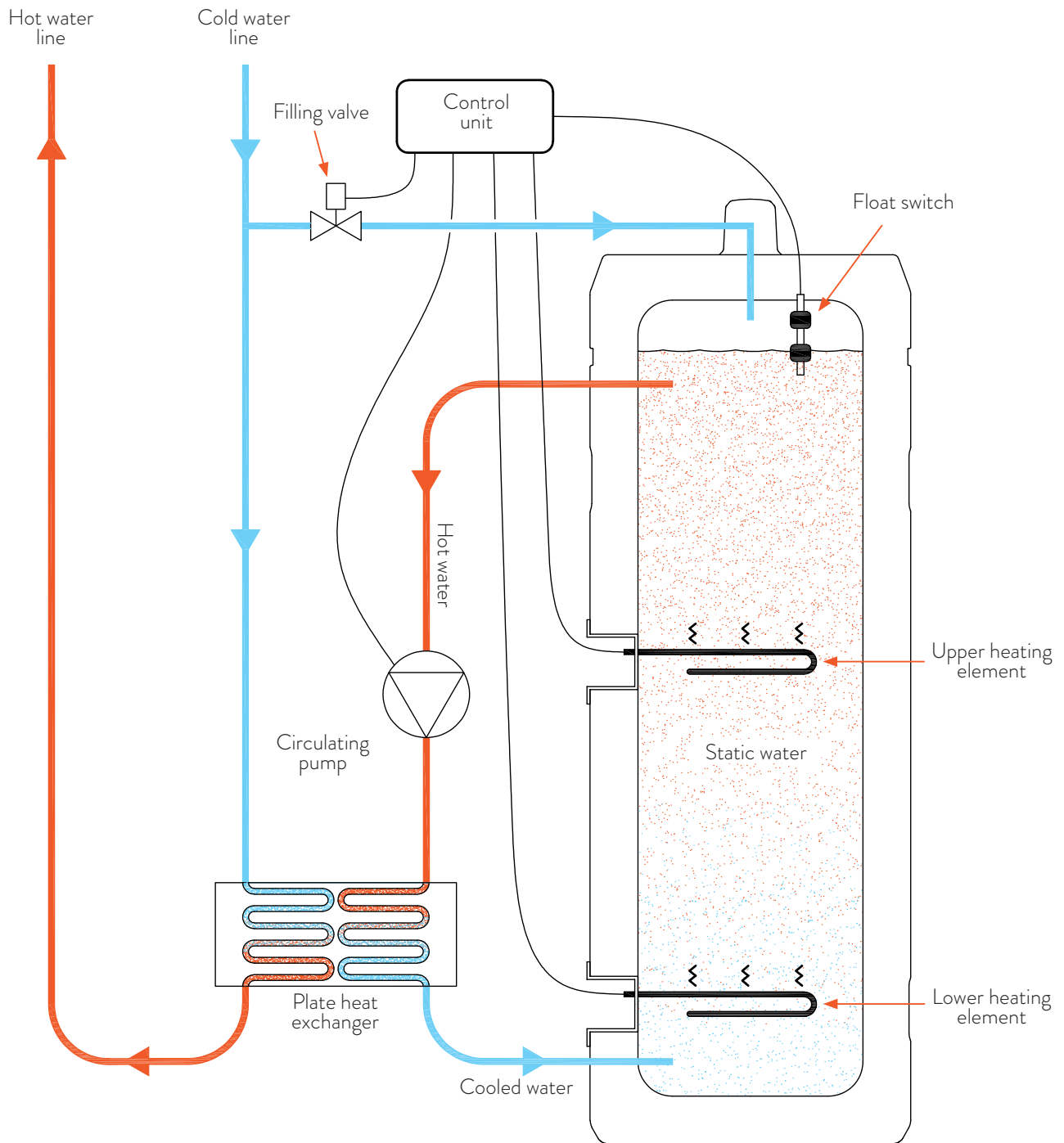
HOW DOES IT WORK?

Your EXR is the first water heater of its kind: it brings you all the advantages of tankless combined with a tank: that's how we achieve performance and durability.

Your Essency water heater works a bit differently from other water heaters: you are not consuming the 55 gallons of water that are stored in the tank, but this “static water” is only acting as a heat source. When you draw hot water, the domestic water is run through a heat exchanger, where the heat from the water in the storage tank (heated at up to 160°F, depending on the selected operation mode) is instantaneously transferred to the domestic water, to obtain water at the desired set temperature. All you have to do is to select the temperature of the water you want to get out of the faucet (you can set from 104°F to 132°F) and Essency does the rest!

- Essency uses two electric heating elements to heat the static water, one in the lower section of the tank, and one in the upper section.
- The tank is only filled once, during initial installation of the unit, and the water remains in there throughout the life of the water heater with a refilling of few gallons per year. This greatly reduces the formation of scale inside the tank, thus increasing the life of the tank itself and key components, such as the heating elements.
- You can control your water heater directly on the unit using the touchscreen, or from your smartphone with the Essency App, which can be downloaded on the *Apple* and *Google* stores.

SCHEMATIC DIAGRAM :



SOFTWARE UPDATES


NOTICE: It is important to always keep the software of your water heater updated with the latest available version. Software updates may be needed to address cyber security issues, fix bugs, improve existing features and/or install new functionalities, help to reduce energy consumption, and optimize the hot water production process.

HOW DO I MAKE SURE THAT MY SOFTWARE IS UPDATED REGULARLY?

1. Software updates are done automatically, provided that your water heater is connected to a WiFi network, and you have downloaded the *Essency App* on your smartphone or tablet. Every time a software update has taken place, you will be notified via the App.

You can also manually update your water heater by following the steps below:

- Open your *MyEssency mobile application*
- Select the water heater to upgrade

If a software upgrade is available, a blue cloud icon will be displayed. Click on this icon  and follow the instructions.

In addition, the App will allow you to control the heating modes and temporary functions, and get real time information about the status of your water heater, including any fault messages. For more details on the App, please refer to the section “App” (see page 39).

NOTICE: Without the App, the water heater *CANNOT* be connected to the WiFi.

2. In case you decide to uninstall the App, after having connected the water heater, your water heater will remain connected to the WiFi network, and software updates will still be done automatically. However you will not be notified of any updates. Furthermore, you will not have access to any other features of the App.

WHAT HAPPENS IF I DO NOT CONNECT MY WATER HEATER TO WIFI?

If you do not connect your water heater to a WiFi network, no software updates will happen throughout the life of the machine, which may affect the functioning and performance of your water heater over time. Furthermore, you will not benefit from any improvements or new functionalities that may become available in the future. Therefore, in order to get the most out of your water heater, we strongly recommend to connect the water heater.

TOUCHSCREEN

Installers: before you install your first unit, we highly recommend familiarizing yourself with the touchscreen. We've built a comprehensive tool, called the 'Touchscreen Simulator', which simulates the physical touchscreen very accurately. Go take a look at www.essencyhome.com - we think it will really help with your knowledge and efficiency.

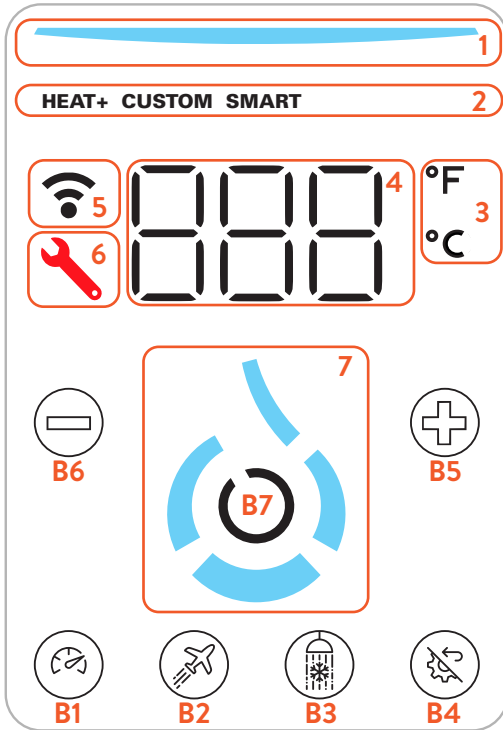


FIGURE	DESCRIPTION
1	Status indicator
2	Active mode
3	Temperature unit
4	Alphanumeric display
5	WiFi status
6	Fault indicator
7	Capacity indicator
B1	Boost (temporary function)
B2	Vacation (temporary function)
B3	Water Saver (temporary function)
B4	Multi Function button
B5	+ Button
B6	- Button
B7	Confirm button

Fig 1. Status Indicator

The color of the banner indicates the heating mode or the water heater status:

- Light blue: Normal operation.
- Red: An alarm has been triggered and needs to be acknowledged (see *Troubleshooting & Service section page 43*).
- White: Service menu.



Fig 5. WiFi Status

- The indicator is ON when the WiFi is connected.
- The indicator flashes when the water heater is searching for WiFi.



Fig 6. Fault Indicator

- The indicator is ON when a fault is active (see *Troubleshooting & Service section page 43*).
- The indicator is OFF when there is no active fault.



Fig 7. Capacity Indicator

- When static, the water drop icon indicates the quantity of hot water available.
 - **In Smart Mode:** Up to 8 back-to-back showers (for 8 min showers at 2GPM and 100°F)
 - **In Heat+ Mode:** 9 back-to-back showers

The **Smart mode** optimizes the hot water storage. That is normal some time to time to see some segments of the indicator unlit, according to hot water usage and elements activation. In **Heat+ mode**, the 4 segments are more likely to be all lit.

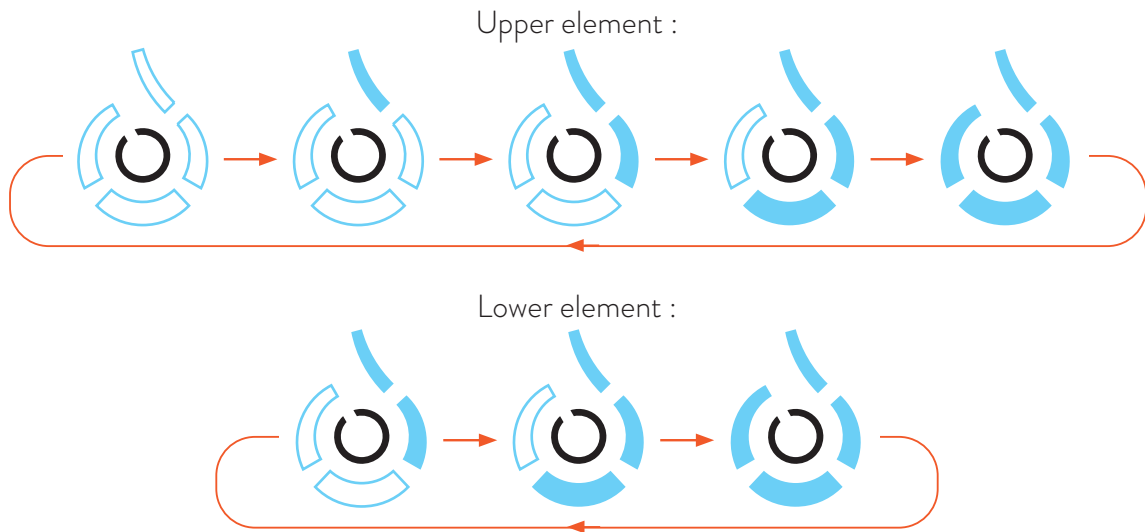
- The animation of the drop indicates whether the water tank is filling or heating.

CAPACITY INDICATOR

The Essency EXR is equipped with two heating elements, one at the bottom of the tank and one at the top, that operate independently. When hot water is drawn, the water heater will always start by switching on the upper element first, so as to ensure that hot water is available as quickly as possible. When the top third of the water in the tank has reached its desired temperature, the electronics will switch off the upper element and switch on the lower element, until all the water in the tank is fully hot.

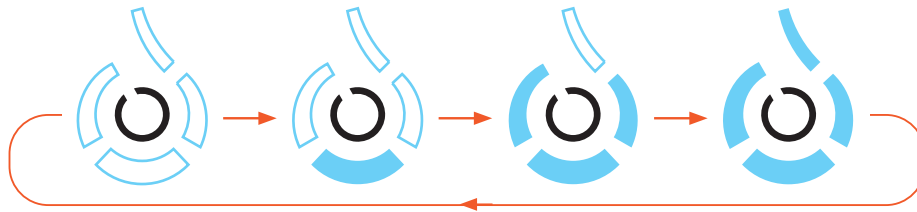
Heating of the water:

As static water begins heating up, the 4 segments of the water drop icon display which element is in operation.



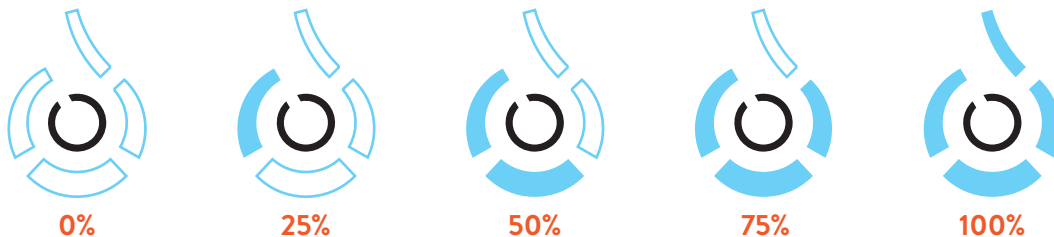
Filling of the tank:

When the tank is filling (at first startup or occasional refill), the 4 segments of the water drop icon blink the following way.



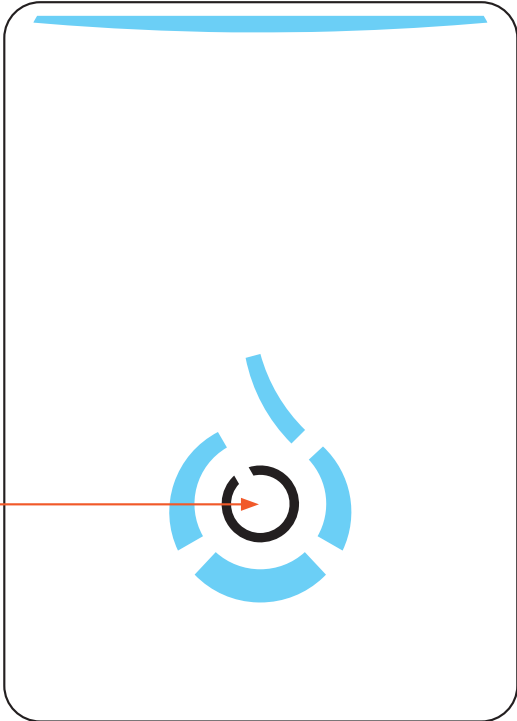
Hot water quantity available:

The drop indicates the amount of hot water available for use.



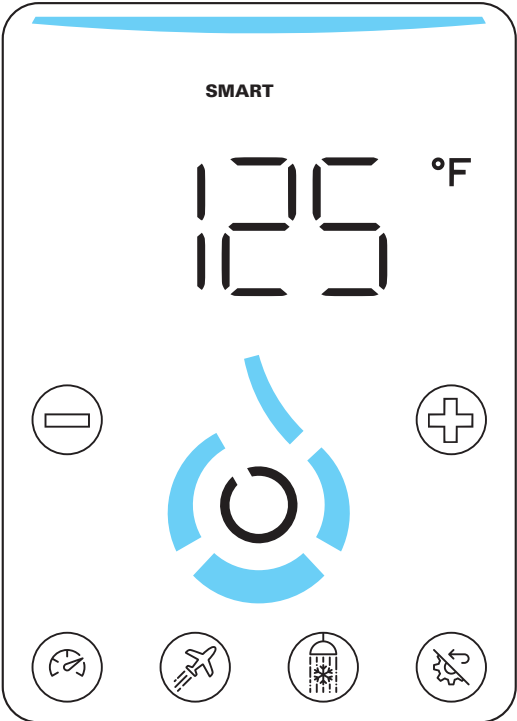
SCREENSAVER AND HOMEPAGE

Home Screen Inactive State



Press the **(Confirm)** button to activate the screen

Home Screen Active State



SETTING THE WATER TEMPERATURE

To set the temperature, use the + and – buttons on the touchscreen until the desired temperature is shown, and press the “confirm” button.

1. To set the temperature, press and hold the (-) or (+) button.
2. Once the temperature indication flashes, press the (-) button to decrease the temperature OR press the (+) button to increase the temperature.
3. Press and hold the (Confirm) button until temperature setting validation.

 **TIP:** Press the (Multi Function) button to cancel.

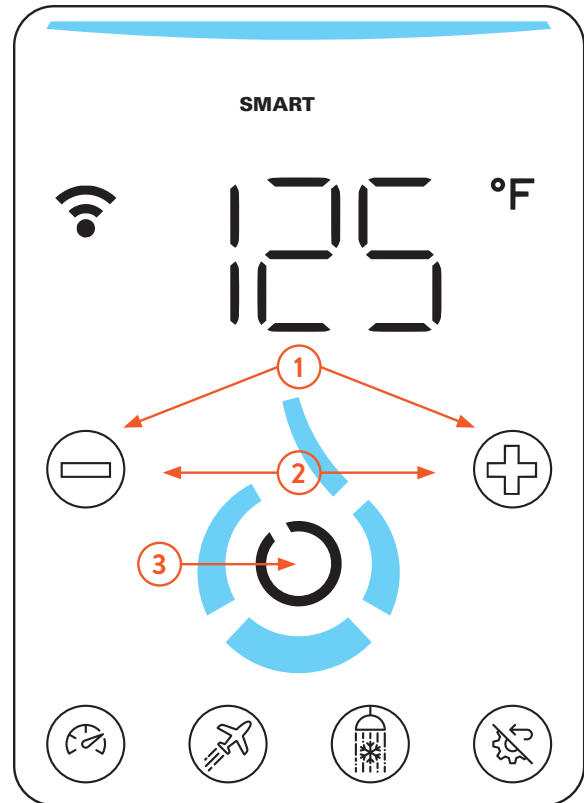
WATER TEMPERATURE SET POINT

Water temperatures above 125°F can cause severe burns or death from scalding. Be sure to read and follow the warnings outlined in this manual and on the label on the water heater.

The electronic control allows the water temperature to be set from 104°F to 132°F. Please note that this is the temperature of the water delivered at the outlet of your water heater, but not the temperature of the static water stored inside the tank (this temperature is defined by the mode you chose to operate in).

Decreasing the setpoint won't save energy, only the mode chosen is able to do so.

Refer to the chart as a guide to determine the maximum water temperature for your application.



APPROXIMATE TIME/TEMPERATURE RELATIONSHIP IN SCALDS

Temperature	Time To Produce a Serious Burn
120°F	More than 5 minutes
125°F	1½ to 2 minutes
130°F	About 30 seconds
135°F	About 10 seconds
140°F	Less than 5 seconds
145°F	Less than 3 seconds
150°F	About 1½ seconds
155°F	About 1 second

Table courtesy of Shriners Burn Institute

⚠ DANGER! Water temperatures over 125° F can cause severe burns or scalding. Households with small children, disabled, or elderly persons may require a 120°F or lower temperature setting to prevent contact with HOT water.

NOTICE: in case of very hard water, setting the temperature at more 125°F can increase the risk of scale build-up.

HEATING MODES

SMART

This is the default mode in which the water heater operates. In Smart mode the electronic control system will automatically manage the 2 heating elements, according to the quantity of hot water used, so as to optimize delivery and consume the least amount of energy. In Smart mode the set temperature of the upper element is 150 °F, whereas the lower element will heat between 110 °F and 150°F.

Smart is the recommended mode for families of 4 or 5 with average water use, and will allow for a FHR of up to 80 gallons.

HEAT+

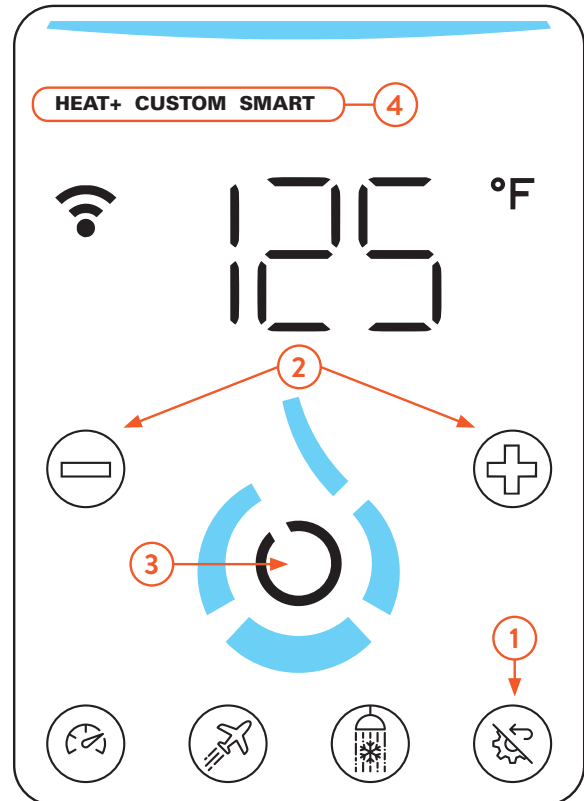
The Heat+ mode optimizes performance over energy savings, allowing the water heater to produce larger quantities of hot water. In Heat+ mode, both heating elements will heat up to 160°F. This mode allows the water heater to deliver, in the same conditions as the FHR test, 100 gallons of hot water.

CUSTOM *(Available in future update)*

The Custom mode allows you to program a typical weekly cycle of use: you can select the Smart mode or Heat+ mode for a certain period of time by one hour increments, depending on your hot water requirements.

NOTICE: Never switch off the water heater. If the water heater is not going to be used for a period of time please use the vacation temporary function (see page 33).

TO SELECT A HEATING MODE:



1. Quickly tap on the **(Multi Function)** button.
2. Press **(+)** or **(-)** to navigate between the 3 modes (Smart / Heat+ / Custom). The selected mode will blink.
3. Press the **(Confirm)** button to confirm the selected mode.
4. Once the heating mode is selected, the homepage will appear following your choice.

TEMPORARY FUNCTIONS

The water heater features a number of temporary functions (also available *in the App*), which allow you to temporarily override the active heating mode for a selected period of time. At the end of the selected period of time, the water heater will return automatically to the initial setting.

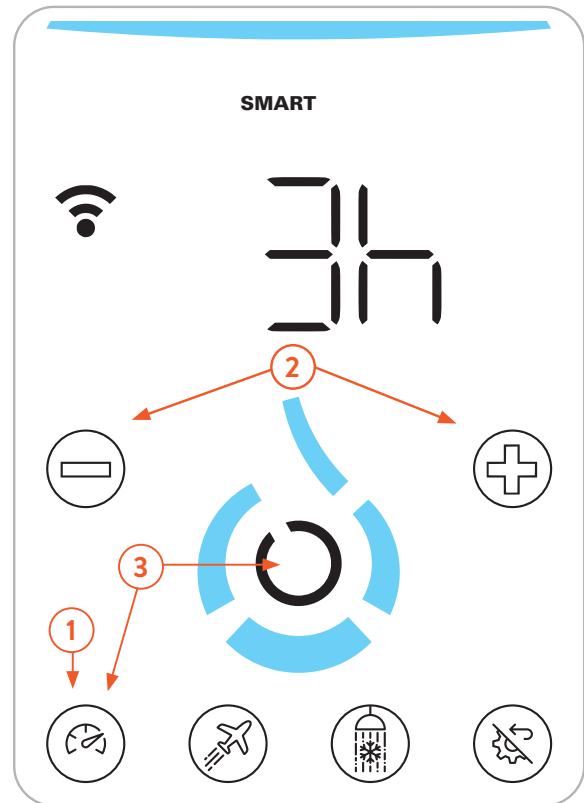
A temporary function can be interrupted at any time before the end of the selected period by selecting OFF. To do so, select the appropriate temporary function (Boost / Vacation / Water Saver) and press the **(-)** button until OFF is displayed. Then press the **(Confirm)** button.

BOOST

The boost temporary function will heat up the tank to its maximum temperature and will keep it hot until the function is deselected.

1. Press the **(Boost)** button to activate the boost temporary function.
2. Press the **(+)** button to increase the number of hours wanted in boost mode OR press the **(-)** button to reduce the number of hours wanted in boost mode.
3. Press the **(Confirm)** button to validate the number of hours and to launch the boost mode OR press the **(Boost)** button to exit the boost menu without activating the temporary function.
4. The **(Boost)** button will blink to indicate that the boost function is active.

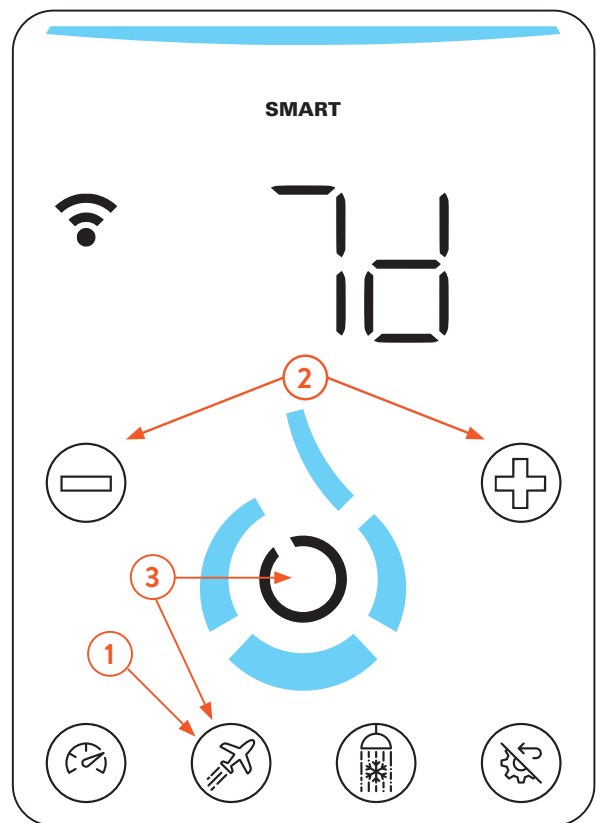
The default time is set to 3 hours and can be increased up to 48 hours. The boost temporary function is deactivated by changing the time to OFF. To do so, press the **(-)** button until OFF is displayed. Then press the **(Confirm)** button.



VACATION

The vacation function aims to keep the tank at low temperature to save energy while preventing water from freezing. In this mode, only the low heating element is used to keep the tank at a minimum fixed temperature. Vacation mode can be programmed by the user for a fixed duration in days or for an infinite period of time.

1. Press the **(Vacation)** button to activate the vacation temporary function.
2. Press the **(+)** button to increase the number of the days wanted in vacation temporary function OR press the **(-)** button to reduce the number of the days wanted in vacation temporary function.
3. Press the **(Confirm)** button to validate the number of days and to launch the vacation temporary function OR press the **(Vacation)** button to exit the vacation menu without activating the temporary function.
4. The **(Vacation)** button will blink to indicate that the vacation function is active.



To ensure that hot water is available when you get back home, make sure to program the end 3 hours before your return. If any doubt, as the touchscreen timer can only be set in days, program 1 day less than your absence.

The default time is set to 7 days, and can be incremented to 99 days or infinite (INF). The vacation temporary function is deactivated by changing the time to OFF. To do so, press the **(-)** button until OFF is displayed. Then press the **(Confirm)** button.

 **TIP:** We highly recommend to use the *Essency App* to program the Vacation function with a better accuracy (date to date).

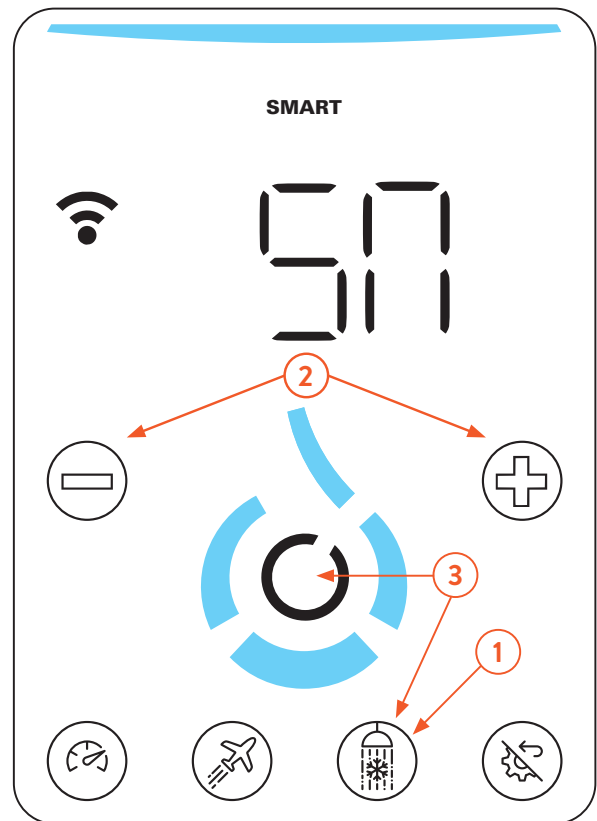
WATER SAVER

This function is intended to limit the time spent in the shower by an overly indulgent user. It was specifically designed for parents of teenagers, to act like a remote control to turn off the hot water if they're spending too much time in the shower. It is not only a matter of peace at home, but also of water and energy conservation, hence its name.

Activating the water saver temporary function will gradually reduce the hot water temperature for 1 minute until reaching cold water. By default, the hot water will return only 5 minutes later, but can also be manually set between 1 and 30 minutes using the (+) or (-) buttons while in the function.

1. Press the **(Water Saver)** button to activate the water saver temporary function.
2. Press the **(+)** button to increase the number of minutes without hot water OR press the **(-)** button to decrease the number of minutes without hot water.
3. Press the **(Confirm)** button to validate the number of minutes and to launch the water saver temporary function OR press the **(Water Saver)** button to exit the water saver menu without activating the temporary function.
4. The **(Water Saver)** button will blink to indicate that the water saver function is active.

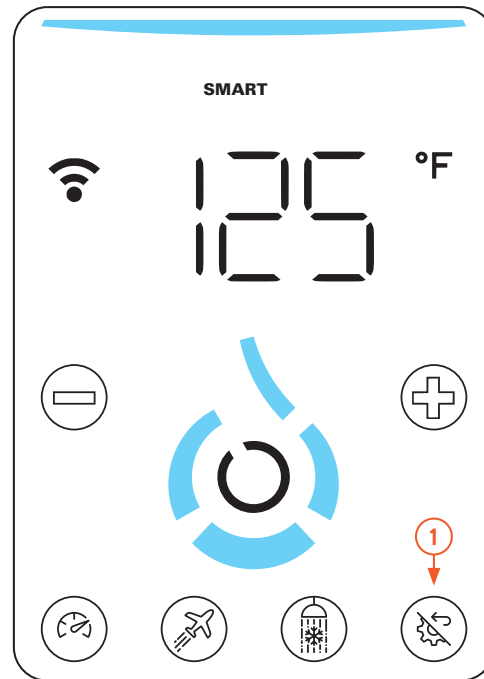
Please note that there will be no hot water in the house during the time selected, unless you cancel the function at any time by setting it to OFF.



PARAMETER SETTINGS

To explore the useful menus, make a long press on the **(Multi Function)** button (B4) for 2 seconds **(1)**. You can navigate through the menus described below by using **(+)** and **(-)** button, validate with the **(Confirm)** button, and go back with short tap on the **(Multi Function)** button.

- Settings (shown as **SEt**)
 - Connection (shown as **Con**)
 - On (shown as **on**)
 - Off (shown as **oFF**)
 - Pairing (**PA ir**)
 - Unit (shown as **Un it**)
 - Temperature (shown as **TEMP**)
 - Flow Rate (shown as **FLow**)
 - Reboot (shown as **rbt**)
 - Software Version (shown as **Soft**)
 - Software Update (shown as **UPd**)
 - Options (shown as **OPT**)
 - Disable the battery (shown as **bAtt**)
- History (shown as **HiSt**)
- Service (shown as **SrV**)
 - Info (shown as **inFo**)
 - See next page
 - Maintenance (shown as **MAint**)
 - See next page
 - Test (shown as **TESt**)
 - Self-test on heating elements (shown as **St**)
- Options (shown as **OPT**)
 - Disable the battery (shown as **bAtt**)

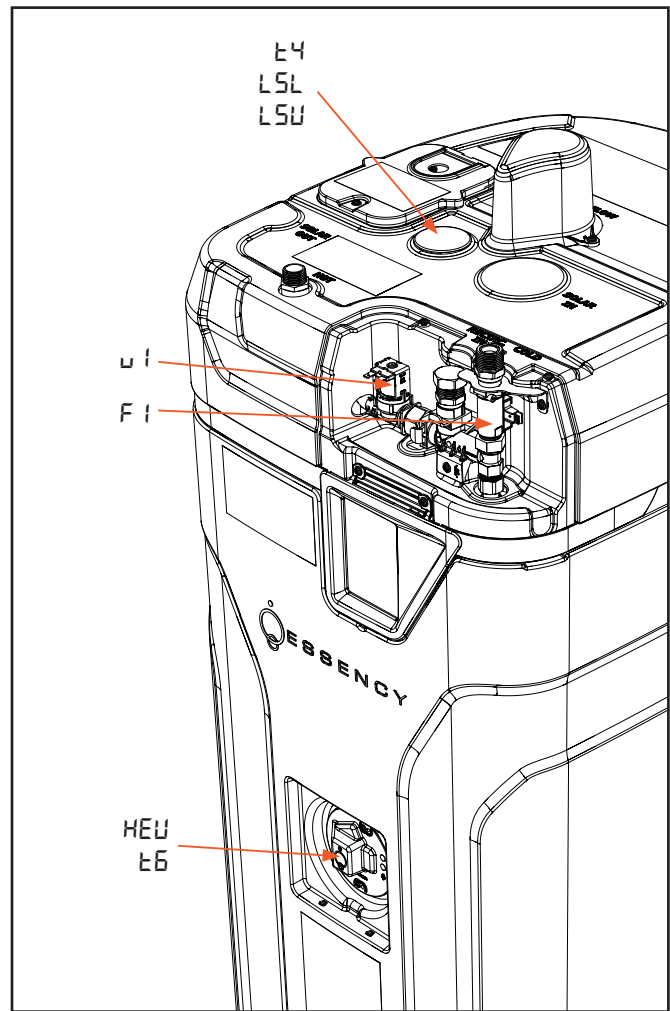


In the Service menu, through the Info section, you will be able to check the status of the sensors and actuators of your water heater.

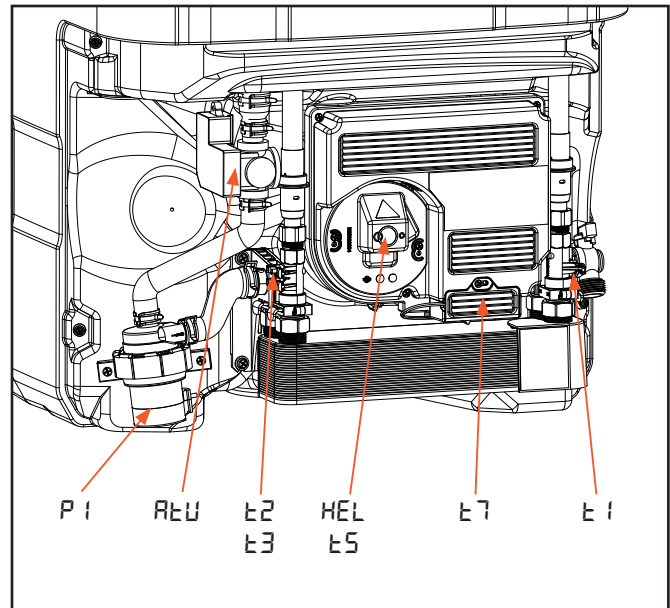
Through the Maintenance section, you can also activate the actuators. These options allow you to perform a self-diagnostic of your water heater for troubleshooting if needed.

The functions, sensors and actuators available are the following :

- ε 1: Domestic Cold Water Temperature (DCWT)
- ε 2: Domestic Hot Water Temperature (DHWT1)
- ε 3: Domestic Hot Water Temperature (DHWT2)
- ε 4: Static Hot Water Temperature (SHWT)
- ε 5: Static Hot Water Temperature Lower (SHWTL)
- ε 6: Static Hot Water Temperature Upper (SHWTU)
- ε 7: Battery Temperature
- F 1: Water Flow Rate (Tenth of Gallons per Minute)
- F 2: Water volume since the last start-up (Hundreds of Gallons)
- HEL: Lower Heating Element¹
- HEU: Upper Heating Element¹
- P 1: Pump Command (%)²
- LSL: Lower Level Sensor³
- LSU: Upper Level Sensor³
- υ 1: Status of the filling valve⁴
- Rευ: Status of the pump valve⁴
- rεε: Erase the alarm history



- ¹ The status of the heating element is either ON or OFF (shown respectively as **ON** or **OFF**)
- ² The pump command is the signal to the variable speed pump, as a % of speed (from 0 to 100%), related to the flow rate of the domestic water side. Useful to control the proper operation of the pump.
- ³ The status of the level sensors is either Low or High (shown respectively as **Lo** or **Hi**)
- ⁴ The status of the valve is either Open or Closed (shown respectively as **OPn** or **CLo**)



USEFUL TIPS

FEATURE	PATH	WHY?
Acknowledging/clearing alarm	<ol style="list-style-type: none"> From the home page, short tap on the (Confirm) button (B7) to check the alarm code. Long tap on the (Confirm) button if the alarm needs/can be acknowledged. 	<ul style="list-style-type: none"> The unit can clear auto-reset alarms. When the source of the fault disappears (sensor fault for example), the unit can work normally with no action required on the touchscreen. The unit cannot manage manual reset alarms. A manual reset is required for the unit to work normally again.
Checking Alarm History	<ol style="list-style-type: none"> From the home page, long tap on the (Multi Function) button. Scroll with (+) or (-) to History (HIST). (Confirm). Scroll through the history with (+) or (-). 	<ul style="list-style-type: none"> Each time an alarm occurs, the unit stores it in the alarm history (also available in the App). Up to 16 of the most recent alarms are stored.
Resetting Alarm History	<ol style="list-style-type: none"> From the home page, long tap on the (Multi Function) button. Scroll with (+) or (-) to Service (SRV). (Confirm). Scroll with (+) or (-) to Maintenance (MAINT). (Confirm). Scroll with (+) or (-) to Reset (RST). (Confirm). 	<ul style="list-style-type: none"> In case of maintenance, it can be useful to reset the alarm history.
Turning On/Off WiFi	<ol style="list-style-type: none"> From the home page, long tap on the (Multi Function) button. Scroll with (+) or (-) to Settings (SET). (Confirm). Scroll with (+) or (-) to Connection (CON). (Confirm). Scroll with (+) or (-) to On (ON) or Off (OFF). 	<ul style="list-style-type: none"> If you want to benefit from all the smart functions of your water heater, we recommend you connect your unit to WiFi. You can just update the software (highly recommended at the unit installation) or pair the unit to your Essency account and use all the features of the MyEssency App.

FEATURE	PATH	WHY?
Checking Current Software Version	<ol style="list-style-type: none"> 1. From the home page, long tap on the (Multi Function) button. 2. Scroll with (+) or (-) to Settings (SEt). (Confirm). 3. Scroll with (+) or (-) to Software (SoFt). (Confirm). 	<ul style="list-style-type: none"> • In case of software issue or if you want to get the documentation in relation with your software version.
Updating software	<ol style="list-style-type: none"> 1. From the home page, long tap on the (Multi Function) button. 2. Scroll with (+) or (-) to Settings (SEt). (Confirm). 3. Scroll with (+) or (-) to Update (UPd). (Confirm). 	<ul style="list-style-type: none"> • See page 26, Software update section.
Reboot	<ol style="list-style-type: none"> 1. From the home page, long tap on the (Multi Function) button. 2. Scroll with (+) or (-) to Settings (SEt). (Confirm). 3. Scroll with (+) or (-) to Reboot (rBt). (Confirm). 	<ul style="list-style-type: none"> • In case of software malfunction.
Confirming Recirculation Flow Rate	<ol style="list-style-type: none"> 1. From the home page, long tap on the (Multi Function) button. 2. Scroll with (+) or (-) to Service (SrV). (Confirm). 3. Scroll with (+) or (-) to Info (InfO). (Confirm). 4. Scroll with (+) or (-) to F1 (F1). (Confirm). 	<ul style="list-style-type: none"> • In case of recirculation loop connected to the unit, check the real time flow rate of the loop. See <i>Recirculation</i> section page 16.

OCCASIONAL REFILL OF THE TANK

1. MANUALLY REFILL YOUR WATER HEATER AFTER MAINTENANCE

During the life of the water heater there may be occasions where the tank has to be refilled manually, such as after draining the tank in order to perform maintenance on the static water circuit, or change a heating element or the heat exchanger.

For the filling procedure, please refer to *Filling the water heater section (see page 20)* and follow the procedure.

2. AUTOMATIC REFILL OF YOUR WATER HEATER AND LEAK DETECTION

Due to water expansion and condensation, your water heater will lose tiny quantities of water each day, through the overflow drain. Per month, it is estimated to lose less than a quarter of a gallon — which is how much a traditional electric tank water heater loses per day.

Your water heater will compensate for this lost volume by automatically refilling to reach the desired water level. It will activate a solenoid valve approximately once every 3 months, during which you will hear water running inside the tank for a few seconds.

Your water heater will also detect if it's refilling too frequently, which would indicate that there is a leak on the static water circuit or the tank and will therefore alert you (see *Troubleshooting & Service section page 43*).

ESSENCY APP

Thanks to the MyEssency App, it is possible to control one or several Essency water heaters from your smart phone.

The App can be downloaded at www.essencyhome.com or from the *Apple* and *Google* stores.

Once installed, please follow the instructions.

Should you encounter any problem during the connection procedure through the App, please reboot the electronics by using the Reboot function described in the Parameter Settings section (see *page 35*). Then start the procedure again.



The App offers you a variety of functionalities such as:

- Status monitoring: active heating mode, temperature settings
- Get information on available quantity of hot water
- Change active Heating mode
- Activate a Temporary Function (Boost/Vacation/ Water saver)
- Get consumption statistics
- Alarm information
- Access to online help and many more features...

NOTICE: For safety purposes, changing the temperature set point from the App is not allowed.

CARE AND CLEANING

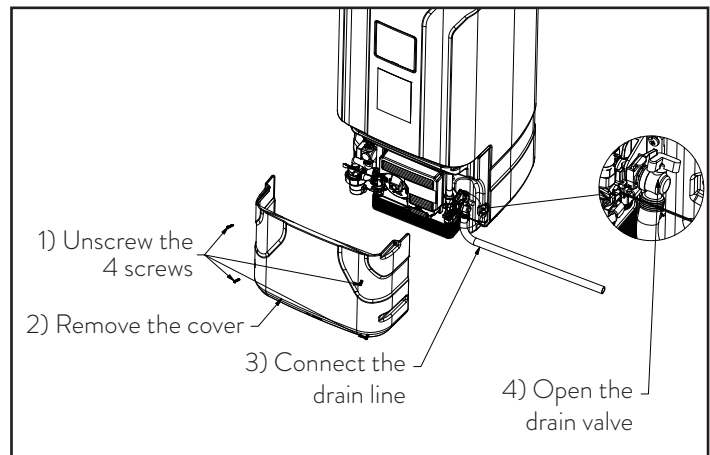
⚠ CAUTION! Shut off power to the water heater before draining your unit.

⚠ DANGER! Before manually operating the drain valve, make certain no one will be exposed to the hot water released by the valve. The water drained from the tank may be hot enough to present a scald hazard and should be directed to a suitable drain to prevent injury or damage.

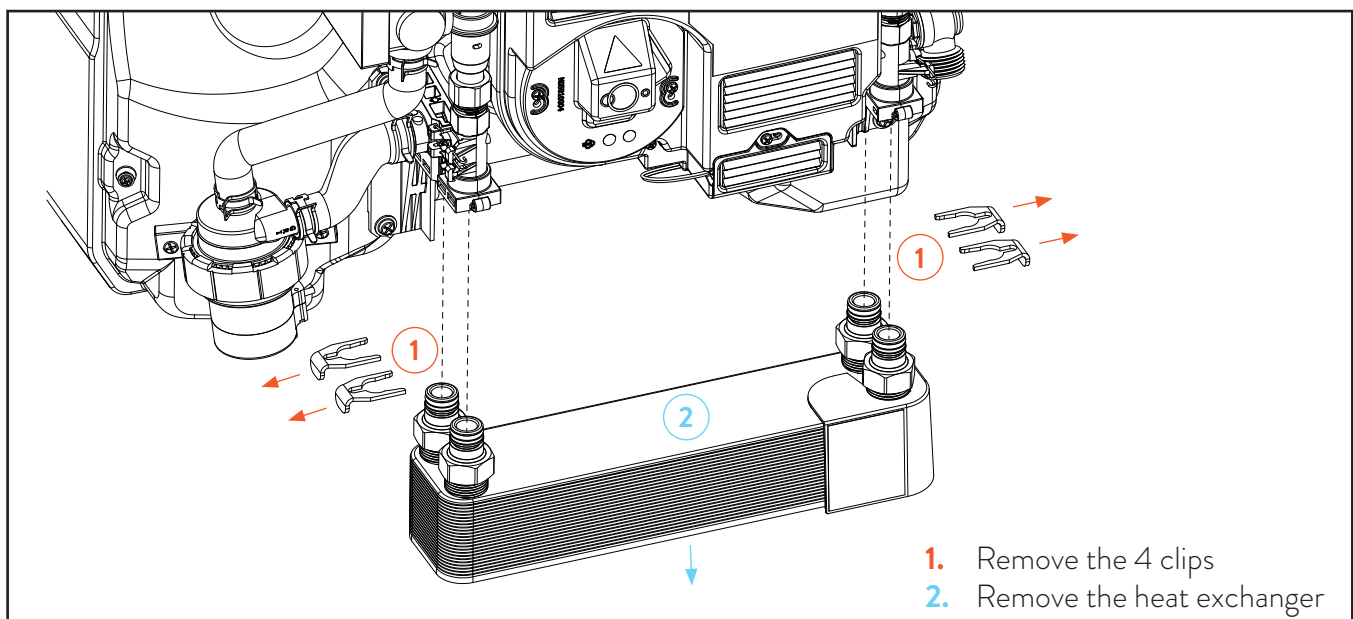
DRAINING THE WATER HEATER

To perform certain acts of maintenance or repair, it may be necessary to drain the tank.

In order to drain the water contained inside the tank, make sure the water supply is shut off. Then fix a garden hose to the drain valve on the water heater and direct the stream of water to a drain. Once the water supply valve of the water heater is closed, you can open the drain valve. The water heater's internal drain valve is closed by default from the factory. In the closed position, the red valve handle will be facing out. In the open position, the red handle will be facing right.



In order to drain the water contained inside the heat exchanger and only after the tank is has been emptied, make sure the water supply is shut off and open a faucet to relieve the pressure. Then remove the heat exchanger by removing the four clips and disconnect heat exchanger from the water heater. Empty the contents of the device in a sink. When reassembling the heat exchanger, check that the o-rings and other parts near the exchanger are in good condition. When reinstalling the cover, do not over-tighten the screws. The applied torque shall not exceed 1.1 lb.ft.

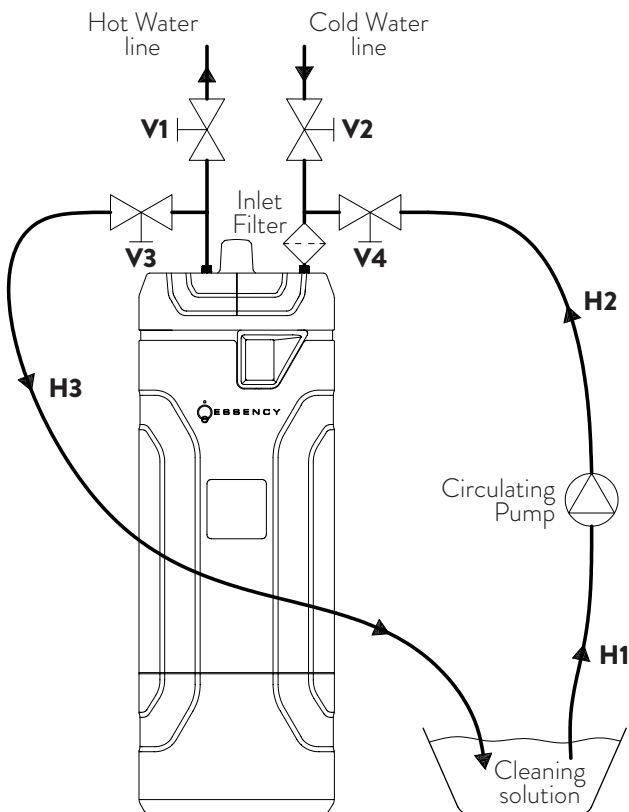


FLUSHING THE WATER HEATER

Based on your water conditions, the heat exchanger may need to be flushed. *Contact Essency* for more information. Save time and money by installing service valves in outlet and inlet water circuits of the water heater.

HOW TO PROCEED:

1. Disconnect electrical power to the water heater.
2. Disconnect the battery (see page 13).
3. Place towels around hot water outlet and cold water inlet to avoid water on your water heater.
4. Close the shutoff valves on both the hot water and cold water lines (V1 and V2).
5. Connect pump outlet hose (H2) to the cold water line at service valve (V4). Connect drain hose (H3) to the hot water line at service valve (V3) and place the free end of H3 into the solution.



6. Pour 4 gallons of undiluted virgin, food grade, white vinegar into pail.
7. Place the end of the hose to the pump inlet (H1) into the cleaning solution.
8. Open V3 and V4.
9. Operate the pump and allow the vinegar to circulate through the water heater for at least 1 hour at a rate of 4 gallons per minute.
10. Turn off the pump.
11. Rinse the vinegar from the water heater as follows:
 - a. Remove the free end of H3 from the pail and place it in a sink or outside to drain.
 - b. Close V4 and open V2. Do not open V1.
 - c. Allow water to flow through the water heater for 10 minutes.
 - d. Close V2. When unit has finished draining, remove the inlet filter at the cold water line and clean out any residue. Place the filter back into its place and close V3.
 - e. Open V1 and V2.
12. Disconnect all hoses.
13. Dry the potential wet surface then restore electrical power to the water heater.

CLEANING THE WATER HEATER

In order to clean the outside surfaces of the water heater, use a damp soft/microfiber cloth. Do not use any aggressive chemicals/cleaning products/tool. Avoid any direct water spray to the water heater (garden hose). Do not spray water on the active parts of the water heater.

ROUTINE INSPECTION

When installed properly and operated in normal standard conditions, your water heater does not require any periodic maintenance.

However, like any electric appliance, we recommend that you inspect your unit periodically for malfunctions or defects.

WE RECOMMEND:

- Open the drain valve once a year to make sure it is moving freely (be careful with the hot water going out).
- Check the cold water inlet filter. If clogged, remove and clean it then put it back in place. Excessive sediment may indicate a need for an external Y strainer.
- Check the absence of water drops or discoloration on the plate heat exchanger.
- Check that the overflow line is not clogged.

Please contact your installing contractor if you detect any abnormal condition.

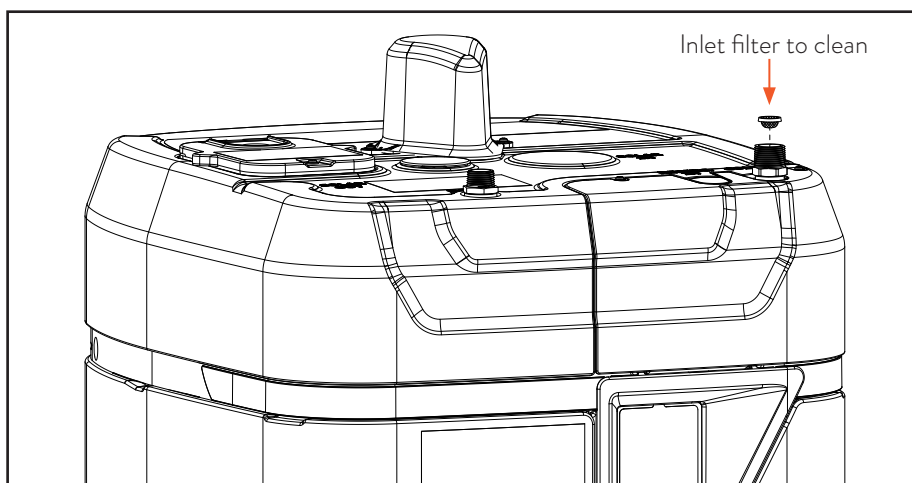
CONDENSATION

Condensation can form on the tank when it is first filled with water. Condensation might also occur with a heavy water draw and very cold inlet water temperature.

Due to the construction of the water heater condensation can form during its life. If, however, the condensation is too excessive, examine the piping and fittings for possible leaks.

WATER HAMMER

Rapid closing of faucets or solenoid valves in automatic water using appliances can cause a banging noise heard in a water pipe. Strategically located risers in the water pipe system or water hammer arresting devices can be used to minimize the problem.



⚠ CAUTION! For your safety, do not attempt to repair thermostat(s), heating elements, or electrical wiring. Refer such repairs to a qualified service technician.

TROUBLESHOOTING & SERVICE

TROUBLESHOOTING CHART

Before calling for service, you can find below some troubleshooting tips. To go further, our *website* can help you to find the root cause of most problems which could be encountered. Most of the time you won't need any mechanical dismounting action to find where the problem comes from.


If the status indicator is red, an alarm has been detected. This alarm is still active if the fault indicator in ON. To display this alarm, perform a short push on the confirm button once the homepage is displayed.

 **TIP:** With the alarm number you can self-diagnose your water heater from the dedicated section of our *website*.


WARNING CODE	EXPLANATION	WHAT TO DO
101	Water outlet temperature too high.	<ul style="list-style-type: none">• The water heater adapts its behavior through the years to adjust its temperature. If this warning appears too regularly, see our <i>website</i> for more information.
102	Inside temperature of the water heater above 185°F.	<ul style="list-style-type: none">• A failure occurs regarding the activation of the heating elements, see our <i>website</i> for more information.
103-OH	Water outlet temperature reached too high a temperature too fast. If this code appears, the water heater won't deliver hot water before your manual confirmation.	<ul style="list-style-type: none">• Perform a long push on the central button to quit the secured active heating mode. The water heater adapts its behavior through the years to adjust its temperature. If this warning appears too regularly, see our <i>website</i> for more information.
211 to 216	Temperature sensor error.	<ul style="list-style-type: none">• A temperature sensor of your water heater needs to be replaced; see our <i>website</i> for the exact component.
226	Alarm raised when the water heater opens the filling valve and doesn't detect any flow through the flowmeter.	<ul style="list-style-type: none">• If the filling process was previously in operation or if the filling process has been launched while a shutoff valve closed, the filling valve solenoid may be too hot to work properly, especially when the system pressure is high. Wait for 10 minutes before attempting a new filling.• See our <i>website</i> for other issue.


WARNING CODE	EXPLANATION	WHAT TO DO
231	Leak detection: continuous flow for 2 hours or volume drawn >100G in a row.	<ul style="list-style-type: none"> • In case of recirculation system, check the pump timer settings and avoid a continuous operation for more than 2 hours. • Check any leak on a hot water outlet or any open faucet.
232	Battery fault.	<ul style="list-style-type: none"> • Check that the battery is well connected (see page 13). • Disconnect the battery (see page 13) then disable it through the touchscreen (see page 35). • Replace the battery (see page 13).
224 to 235	Component fault.	<ul style="list-style-type: none"> • A component of your water heater may need to be replaced, see our <i>website</i> for the exact one.


PROBLEM	POSSIBLE CAUSES	WHAT TO DO
Not enough or no hot water	Electric supply may be off.	<ul style="list-style-type: none"> • Make sure your water heater is electrically connected and the circuit breaker is not tripped. • Contact the local electric utility if your house is not electrically supplied. • Contact your plumber or electrician to check the electric connection of your water heater.
	Water usage may exceed the capacity to deliver the water at the desired temperature.	<ul style="list-style-type: none"> • Make sure no faucet is inadvertently open.
	Water usage may have exceeded the capacity of the water heater.	<ul style="list-style-type: none"> • Wait for the water heater to recover after an abnormal high demand. • Switch to a more adapted mode if it happens regularly (See <i>Heating modes</i> section page 31).
	The temperature set point may be set too low.	<ul style="list-style-type: none"> • See <i>Setting the temperature</i> section page 30.
	The heat exchanger is scaled.	<ul style="list-style-type: none"> • In case of very hard water, the heat exchanger of your water heater may need to be descaled (see page 41).
		<ul style="list-style-type: none"> • If none of the previous causes is responsible for this problem, see our <i>website</i> for more information.

PROBLEM	POSSIBLE CAUSES	WHAT TO DO
Water is too hot	The temperature set is too high.	<ul style="list-style-type: none"> Decrease the temperature setpoint (See <i>Setting the temperature section page 30</i>).
Setpoint can't be changed	Somebody is using hot water.	<ul style="list-style-type: none"> The setpoint cannot be changed if someone is using the hot water, to avoid scald hazards.
Water leaks	Water drops on top of the unit.	<ul style="list-style-type: none"> Confirm that the overflow line is well connected and sealed. Due to little evaporation from the tank, water may condensate on top of the unit in case of highly humid and cold room ambiance. Water should evaporate by itself.
	Leakage from threaded connection.  CAUTION! Cut the water and electricity supply in this situation to avoid any hazard. Leaking water may be hot.	<ul style="list-style-type: none"> The gaskets used don't need a high torque to keep the sealing; tighten the connection a bit more to stop the leak. If the leak remains or comes from somewhere else contact your installing plumber.

Once the alarm is not active anymore you can acknowledge it by making a long push on the confirm button.

 **CAUTION!** For your safety **DO NOT** attempt repair of electrical wiring, temperature sensor, electronic control, heating elements or other safety devices. Refer repairs to qualified service personnel.

 **WARNING!** The static water in the tank may be hot, therefore any intervention on the static water circuit can cause burns.

 **WARNING!** After every maintenance intervention, perform a water drawing of approx 2 gallons to evacuate potentially too hot water, and thus avoid the risk of burns.

NOTICE: when reinstalling any parts or covers, do not over-tighten the screws.

For more information on the applicable torque, please refer to the maintenance section of our website at www.essencyhome.com. If you are not sure of your understanding regarding the instructions provided in our website or any terms within them, please contact a qualified service professional.

SERVICE PARTS

Service parts may be ordered through your plumber or local distributor.

When ordering repair parts always give the following information:

1. Model, Serial, and Product Numbers
2. Item Number
3. Parts Description

The procedure to order service parts can be found on our website at www.essencyhome.com

⚠ CAUTION! The battery used in this device may present a risk of fire or chemical burn if mistreated. Do not disassemble, heat above 160°F, or incinerate. Replace battery with Essency original part only (refer to our *website* for the service part list). Use of another battery may present a risk of fire or explosion.

Dispose of used battery promptly. Keep away from children. Do not disassemble and do not dispose of in fire.

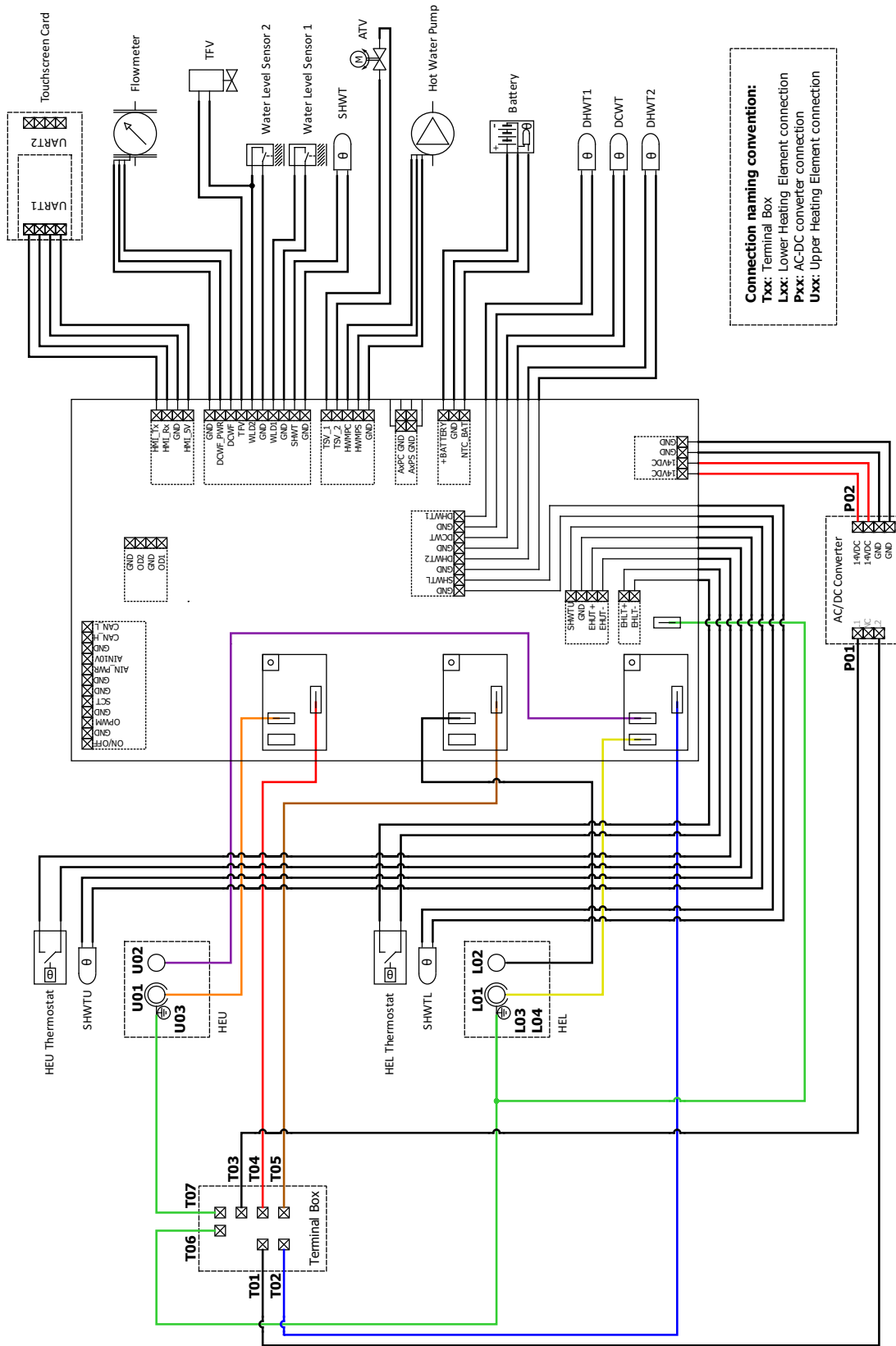
SERVICE LOG

Please record any replacement of components below to allow proper tracking of the water heater status.

DATE	PART NUMBER	OBSERVATION

WIRING DIAGRAM

This water heater is wired as indicated in the schematic below.



ESSENCY RESIDENTIAL WATER HEATER LIMITED WARRANTY POLICY

GENERAL: This limited warranty is provided by Essency SAS (“Essency”) and covers Essency Water Heater model EXR. This warranty is provided if the Water Heater is installed within the United States of America for a single-family dwelling and remains at its original place of installation. This warranty is transferrable to the new owner of a single-family dwelling where the Water Heater was originally installed and in the case it is sold, for the remainder of the warranty period. This warranty does not cover commercial use.

WARRANTY COVERAGE: Essency warrants this Water Heater against defects in materials and workmanship for the applicable warranty period below, provided it is properly installed, maintained and used. If Essency determined that the Water Heater is defective in accordance with the terms of this warranty, Essency will at its option, repair or replace the defective part. Each defective component or part to be replaced must be returned to Essency in exchange for its replacement. **Any replacement part or product will be warranted only for the unexpired portion of the original product’s applicable warranty period.** If an identical replacement is not available, Essency will replace the part or product with one having comparable operating features, or refund a portion of the purchase price allocable as determined by Essency, on a pro-rata basis to the unexpired portion of the warranty period.

WARRANTY PERIODS: The applicable warranty periods start from the date of original installation or from the date of manufacture if proof of installation is not available, and are as follows:

- **6 YEAR “ALL PARTS” WARRANTY :** repair or replacement of any of the Water Heater’s part(s) if defective and under warranty.
- **10 YEAR “TANK ONLY” WARRANTY:** repair or replace the tank only if defective and under warranty. Essency will **EXTEND THE 10 YEAR “TANK ONLY” WARRANTY TO 20 YEARS** if the homeowner completes registration of their Water Heater following instructions provided by Essency within thirty (30) days of installation.

During the **FIRST** year of warranty, Essency will pay, for pre-authorized covered failures, a reasonable flat rate towards the total labor amount, depending on whether or not the Water Heater requires draining, and in accordance with Essency’s then applicable rates (“**1 YEAR Full Warranty**”). After the **1 YEAR Full Warranty** expires, the owner of the Water Heater will be responsible for any labor, removal, repair or replacement costs.

EXCLUSIONS: This limited warranty does not cover:

- Defects, malfunctions or damages resulting from failure to properly install, operate or maintain the Water Heater in accordance with this manual and/or with any applicable standards, building codes, regulations or trade practices, including good plumbing and electrical trade practices;
- Defects, malfunctions or damages if the Water Heater has been removed from its original installation location;
- Defects, malfunctions or damages caused by improper sizing of the Water Heater, connections, electric service voltage, wiring or fusing;
- Defects, malfunctions or damages caused by operation in a corrosive or contaminated atmosphere, or by pressures greater than those shown on the rating plate, which must not be altered or removed;
- Defects, malfunctions or damages caused by operating the water heater when it is not supplied with potable water which respects the maximum levels defined in the water quality section of the Installation and Opera-

tions Manual, or by operation at temperatures exceeding the maximum settings of the operating instructions;

- Defects, malfunctions or damages caused by operating the Water Heater with part(s) removed or with modified, altered, unapproved part(s) installed;
- Defects, malfunctions or damages resulting from the use of any item attached to the Water Heater, including without limitation any energy-saving device that is not authorized by Essency;
- Defects, malfunctions or damages resulting from operation with an empty or partially empty Water Tank, or not supplied with potable water free to circulate;
- Defects, malfunctions or damages caused by misuse, negligence, accident, abuse, fire, flood, freezing, lightning, acts of God and the like;
- Claims related to excessive noise, smell, taste, discoloration or rusty water;
- Components and parts not provided by Essency;
- Serviceable items and normal maintenance as required per printed instructions;
- Energy costs (electricity, etc.) or any increased costs, or unrealized savings, for any reason whatsoever;
- Except as strictly provided for under the **1 YEAR Full Warranty** coverage, labor and/or other costs and expenses incurred in the removal, repair or replacement of the Water Heater or any part(s), including but not limited to shipping charges, delivery expenses, handling costs and administrative fees incurred by the owner of the Water Heater in repairing or replacing the Water Heater. **All such expenses and costs are the owner’s responsibility.**

LIMITED WARRANTY: This limited warranty is the only warranty for the Water Heater given by Essency. No one is authorized to make any other warranties on behalf of Essency.

OTHER THAN THE OBLIGATIONS OF ESSENCY EXPRESSLY SET FORTH HEREIN, ESSENCY DISCLAIMS ANY AND ALL WARRANTIES OF ANY KIND, EXPRESS OR IMPLIED, INCLUDING WITHOUT LIMITATION, ALL WARRANTIES OF MERCHANTABILITY, FITNESS FOR A PARTICULAR USE OR PURPOSE. ESSENCY’S SOLE OBLIGATIONS WITH RESPECT TO THE WATER HEATER ARE SET FORTH IN THE FOREGOING LIMITED WARRANTY. ESSENCY SHALL NOT BE LIABLE FOR ANY INDIRECT, CONSEQUENTIAL, INCIDENTAL, SPECIAL, PUNITIVE, OR SIMILAR DAMAGES INCLUDING WITHOUT LIMITATION, DAMAGES FOR LOSS OF USE, LOST PROFITS, INCONVENIENCE, WATER LEAKAGE OR LOSS OF TIME.

Some states do not allow limitations on how long an implied warranty lasts, or for the exclusion of certain damages, so the above limitations and exclusions may not apply to you. This limited warranty gives you specific legal rights, and you may also have other rights which vary upon location.

HOW TO MAKE A WARRANTY CLAIM: Any warranty claim must be made promptly. Various documents will be requested to process a claim, including but not limited to a copy of the original invoice, documentation showing the Water Heater Model model number, serial number, original installation date, location and installer’s name, maintenance records. Any warranty claim may be subject to the return of the alleged defective components or parts in accordance with Essency’s procedure then in force, for inspection to determine the cause of failure.

ESSENCY

RCS B 852 785 559 La Roche-sur-Yon
2 rue Johannes Gutenberg 85500 LES HERBIERS - FRANCE

NOTES: _____

TIPS FOR WATER CONSERVATION

Save the planet (*and money*). Water is a gift of nature, and necessary for life on Earth. Here are some useful tips to save water :

1. Don't let water run unnecessarily.
2. Take a shower rather than a bath.
3. Limit the duration of each shower. A 7-minute shower is typically sufficient to be clean and relaxed.
4. Use the « water saver » temporary function if members of your family are extending their stay under the shower a bit too long...
5. Repair any leaks as soon as identified: Essency has a leak detector, which will alert you in case of leaks, not only in the water heater itself, but also in any water outlets connected to the water heater.
6. Use the dishwasher only when it is full.
7. Water plants selectively and without excess.
8. Select plants that don't need much water.
9. Collect rain water to water plants.
10. Use recycled paper for printing. The production of paper requires large amounts of water, especially for the whitening process. Using recycled paper reduces water consumption by 90%.

IF YOU NEED HELP

Should you have any questions about your new water heater, or if it requires adjustment, repair, or routine maintenance, it is suggested that you first contact your installer, plumbing contractor or previously agreed upon service agency. In the event the firm has moved or is unavailable, refer:

1. To the telephone directory, commercial listings or local utility for qualified service assistance.
2. Should your problem not be solved to your complete satisfaction, you should then contact the Essency's National Service Department.

HOUSTON OFFICE

27351 Spectrum Way
Oak Ridge North, TX 77385 -2101
USA

Toll free number : +1-888-229-6285

When contacting the manufacturer, the following information will be requested:

- Model and serial number of the water heater as shown on the rating plate attached to the jacket of the water heater.
- Address where the water heater is located and physical location.
- Name and address of installer and any service agency who performed service on the water heater.
- Date of original installation and dates any service work was performed.
- Details of the problems as you can best describe them.
- List of people, with dates, who have been contacted regarding your problem.

AFFIX LABEL HERE



2, rue J. Gutenberg
85500 Les Herbiers, France
www.essencyhome.com

COPYRIGHT © 2021 ESSENCY. A GT COMPANY. ALL RIGHTS RESERVED.

